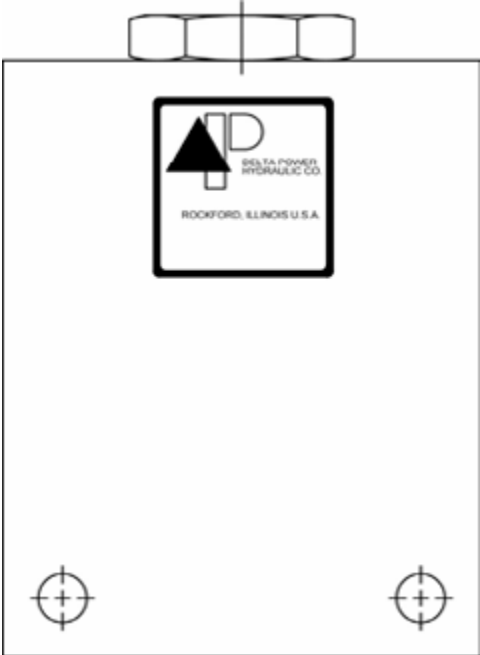


SINGLE, P.O. CHECK VALVES (PRE-ENGINEERED BLOCKS)



SERIES SINGLE PILOT OPERATED CHECK VALVE HS3

W7 / 2017

WARNING: the specifications/application data shown in our catalogs and data sheets are intended only as a general guide for the product described (herein). Any specific application should not be undertaken without independent study, evaluation, and testing for suitability.



4484 Boeing Drive Rockford, IL 61109 • USA • Phone +1 (815) 397-6628 • Fax +1 (815) 397-2526
 mail: delta@delta-power.com • www.delta-power.com



Via Malavolti, 36 • 41122 Modena • ITALY • Phone +39 (059) 254895 • Fax +39 (059) 253512
 mail: tecnord@tecnord.com • www.tecnord.com

WARNING: *the specifications/application data shown in our catalogs and data sheets are intended only as a general guide for the product described (herein). Any specific application should not be undertaken without independent study, evaluation, and testing for suitability.*




4484 Boeing Drive Rockford, IL 61109 • USA • Phone +1 (815) 397-6628 • Fax +1 (815) 397-2526
mail: delta@delta-power.com • www.delta-power.com



Via Malavolti, 36 • 41122 Modena • ITALY • Phone +39 (059) 254895 • Fax +39 (059) 253512
mail: tecnord@tecnord.com • www.tecnord.com

SERIES SINGLE PILOT OPERATED CHECK VALVE

	GPM	PSI	LPM	BAR	CAVITY	MODEL	PAGE
	5	3000	19	207	5/8-18	MS-POC	HS4
	10	3500	38	241	3/4-16	PS-POC	HS6
	15	3500	57	241	7/8-14	DS-POC	HS8
	40	3500	151	241	1 5/16-12	SS-POC	HS10

TYPICAL SCHEMATIC

Typical application for this valve is load holding when pump is off.

W7 / 2017

WARNING: the specifications/application data shown in our catalogs and data sheets are intended only as a general guide for the product described (herein). Any specific application should not be undertaken without independent study, evaluation, and testing for suitability.



4484 Boeing Drive Rockford, IL 61109 • USA • Phone +1 (815) 397-6628 • Fax +1 (815) 397-2526
 mail: delta@delta-power.com • www.delta-power.com



Via Malavolti, 36 • 41122 Modena • ITALY • Phone +39 (059) 254895 • Fax +39 (059) 253512
 mail: tecnord@tecnord.com • www.tecnord.com

MS-POC SINGLE PILOT OPERATED CHECK VALVE



DESCRIPTION

7 size, 5/8-18 thread, "Mini" series, pilot operated check valve.

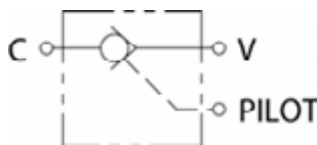
OPERATION

The MS-POC allows flow to pass from (V) to (C) and blocks flow from (C) to (V). When pilot pressure is applied to pilot port the valve allows flow from (C) to (V). The valve has a 6.7:1 pilot ratio, so at least .149 of the load pressure is required at the (PILOT) port to open the flow passage to allow flow from ports (C). The check is spring-biased at 50 PSI (3.4 bar) to assure holding in static or no-load conditions.

FEATURES

- Hardened internal parts for long life.
- Anodized aluminum body for corrosion protection.

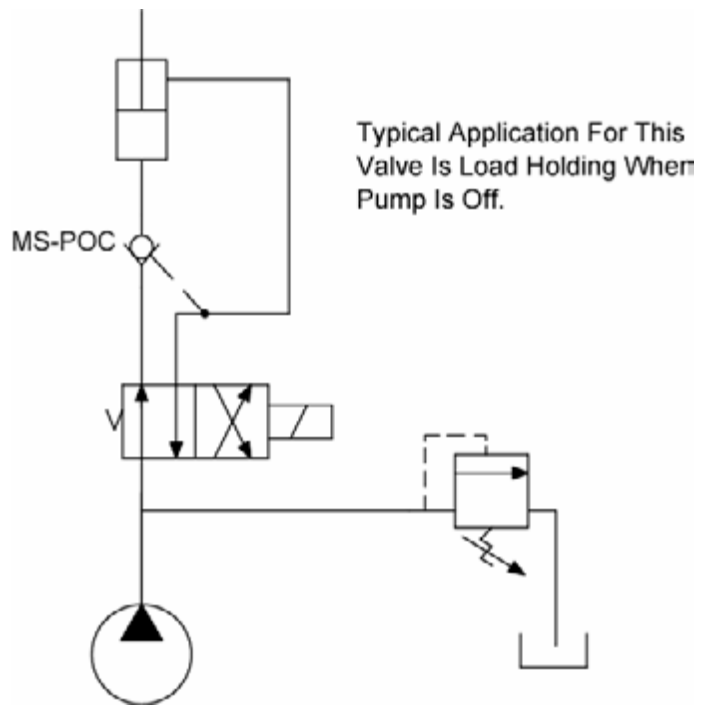
HYDRAULIC SYMBOL



VALVE SPECIFICATIONS

Nominal Flow	5 GPM (19 LPM)
Rated Operating Pressure	3000 PSI (207 bar)
Typical Internal Leakage (150 SSU)	0-5 drops/min
Viscosity Range	36 to 3000 SSU (3 to 647 cSt)
Filtration	30 micron nominal
Pilot Ratio	6.7:1
Media Operating Temp. Range	-40° to 250°F (-40° to 120°C)
Weight	.7 lbs (.31 kg)
Operating Fluid Media	General Purpose Hydraulic Fluid
Cartridge Torque Requirements	15 ft-lbs (20.3 Nm)
Cartridge Crack Pressure	50 PSI (3.4 bar)

TYPICAL SCHEMATIC



WARNING: the specifications/application data shown in our catalogs and data sheets are intended only as a general guide for the product described (herein). Any specific application should not be undertaken without independent study, evaluation, and testing for suitability.

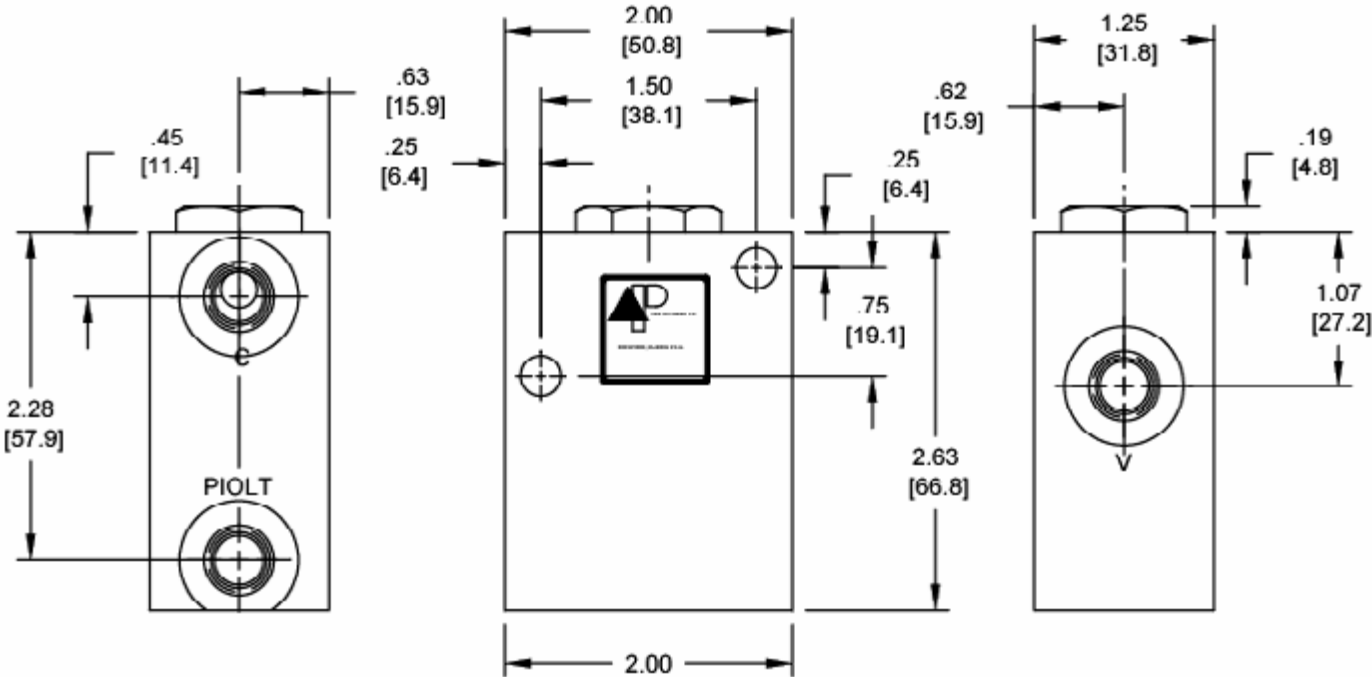


4484 Boeing Drive Rockford, IL 61109 • USA • Phone +1 (815) 397-6628 • Fax +1 (815) 397-2526
 mail: delta@delta-power.com • www.delta-power.com



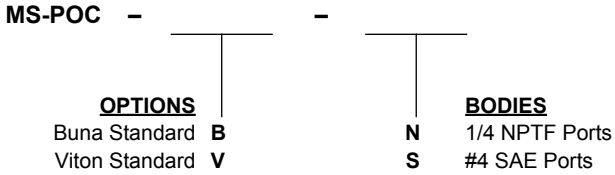
Via Malavolti, 36 • 41122 Modena • ITALY • Phone +39 (059) 254895 • Fax +39 (059) 253512
 mail: tecnord@tecnord.com • www.tecnord.com

DIMENSIONS



SAE PORTS SHOWN
 MTG. HOLES ARE .28 DIA.
 O-RINGS ARE STANDARD ON PISTON ASSEMBLY
 CHECK VALVE USED IS A MA-CVA

ORDERING INFORMATION



W7 / 2017

WARNING: the specifications/application data shown in our catalogs and data sheets are intended only as a general guide for the product described (herein). Any specific application should not be undertaken without independent study, evaluation, and testing for suitability.

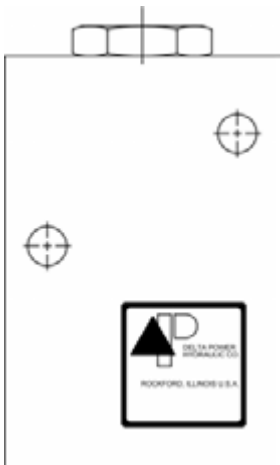


4484 Boeing Drive Rockford, IL 61109 • USA • Phone +1 (815) 397-6628 • Fax +1 (815) 397-2526
 mail: delta@delta-power.com • www.delta-power.com



Via Malavolti, 36 • 41122 Modena • ITALY • Phone +39 (059) 254895 • Fax +39 (059) 253512
 mail: tecnord@tecnord.com • www.tecnord.com

PS-POC SINGLE PILOT OPERATED CHECK VALVE



DESCRIPTION

8 size, 3/4-16 thread, "Power" series, pilot operated check valve.

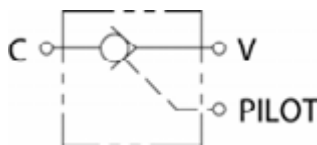
OPERATION

The PS-POC allows flow to pass from (V) to (C) and blocks flow from (C) to (V). When pilot pressure is applied to pilot port the valve allows flow from (C) to (V). The valve has a 4:1 pilot ratio, so at least .250 of the load pressure is required at the (PILOT) port to open the flow passage to allow flow from ports (C). The check is spring-biased at 50 PSI (3.4 bar) to assure holding in static or no-load conditions.

FEATURES

- Hardened internal parts for long life.
- Anodized aluminum body for corrosion protection.

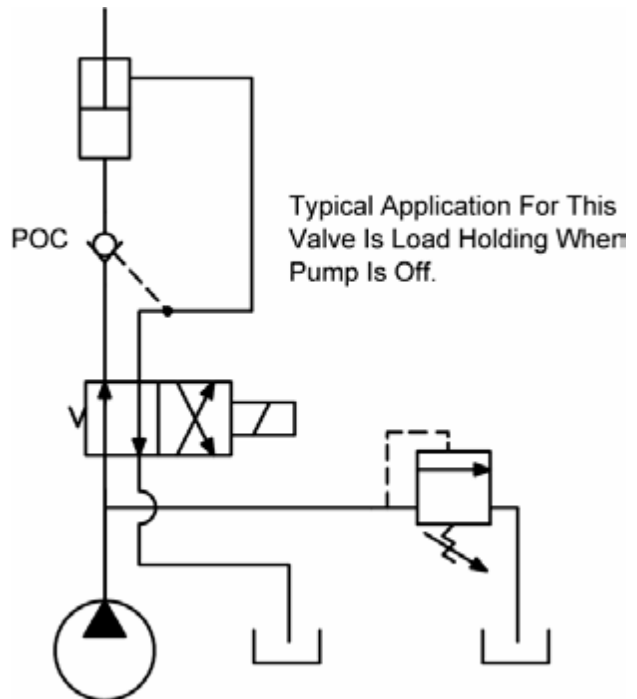
HYDRAULIC SYMBOL



VALVE SPECIFICATIONS

Nominal Flow	10 GPM (38 LPM)
Rated Operating Pressure	3500 PSI (241 bar)
Typical Internal Leakage (150 SSU)	0-5 drops/min
Viscosity Range	36 to 3000 SSU (3 to 647 cSt)
Filtration	30 micron nominal
Pilot Ratio	4:1
Media Operating Temp. Range	-40° to 250°F (-40° to 120°C)
Weight	1.0 lbs (.45 kg)
Operating Fluid Media	General Purpose Hydraulic Fluid
Cartridge Torque Requirements	25 ft-lbs (34 Nm)
Cartridge Crack Pressure	50 PSI (3.4 bar)

TYPICAL SCHEMATIC



WARNING: the specifications/application data shown in our catalogs and data sheets are intended only as a general guide for the product described (herein). Any specific application should not be undertaken without independent study, evaluation, and testing for suitability.

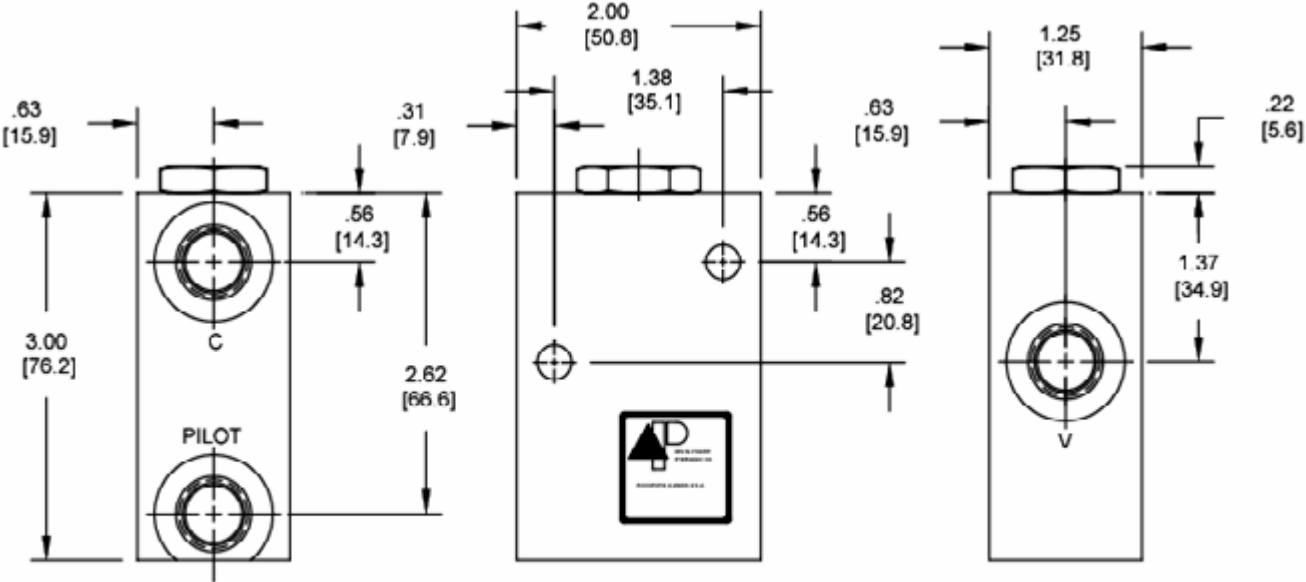


4484 Boeing Drive Rockford, IL 61109 • USA • Phone +1 (815) 397-6628 • Fax +1 (815) 397-2526
 mail: delta@delta-power.com • www.delta-power.com



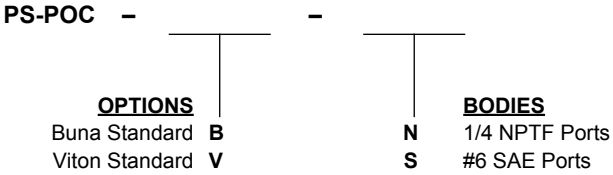
Via Malavolti, 36 • 41122 Modena • ITALY • Phone +39 (059) 254895 • Fax +39 (059) 253512
 mail: tecnord@tecnord.com • www.tecnord.com

DIMENSIONS



SAE PORTS SHOWN
 MTG. HOLES ARE .28 DIA.
 O-RINGS ARE STANDARD ON PISTON ASSEMBLY
 CHECK VALVE USED IS A PB-CVC

ORDERING INFORMATION



W7 / 2017

WARNING: the specifications/application data shown in our catalogs and data sheets are intended only as a general guide for the product described (herein). Any specific application should not be undertaken without independent study, evaluation, and testing for suitability.

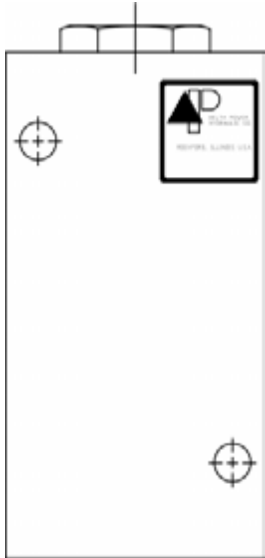


4484 Boeing Drive Rockford, IL 61109 • USA • Phone +1 (815) 397-6628 • Fax +1 (815) 397-2526
 mail: delta@delta-power.com • www.delta-power.com



Via Malavolti, 36 • 41122 Modena • ITALY • Phone +39 (059) 254895 • Fax +39 (059) 253512
 mail: tecnord@tecnord.com • www.tecnord.com

DS-POC SINGLE PILOT OPERATED CHECK VALVE



DESCRIPTION

10 size, 7/8-14 thread, "Delta" series, pilot operated check valve.

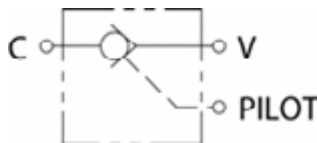
OPERATION

The DS-POC allows flow to pass from (V) to (C) and blocks flow from (C) to (V). When pilot pressure is applied to pilot port the valve allows flow from (C) to (V). The valve has a 4:1 pilot ratio, so at least .250 of the load pressure is required at the (PILOT) port to open the flow passage to allow flow from ports (C). The check is spring-biased at 90 PSI (6.2 bar) to assure holding in static or no-load conditions.

FEATURES

- Hardened internal parts for long life.
- Anodized aluminum body for corrosion protection.

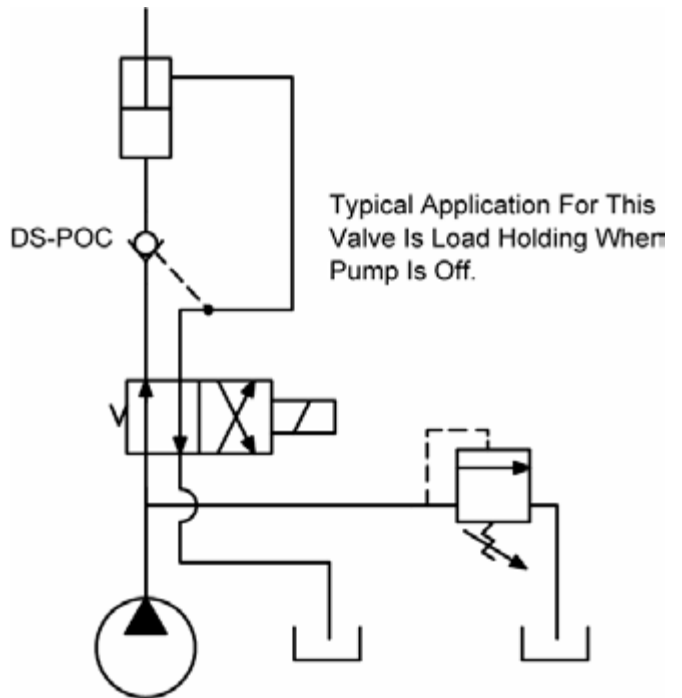
HYDRAULIC SYMBOL



VALVE SPECIFICATIONS

Nominal Flow	15 GPM (57 LPM)
Rated Operating Pressure	3500 PSI (241 bar)
Typical Internal Leakage (150 SSU)	0-5 drops/min
Viscosity Range	36 to 3000 SSU (3 to 647 cSt)
Filtration	30 micron nominal
Pilot Ratio	4:1
Media Operating Temp. Range	-40° to 250°F (-40° to 120°C)
Weight	1.1 lbs (.50 kg)
Operating Fluid Media	General Purpose Hydraulic Fluid
Cartridge Torque Requirements	30 ft-lbs (40.6 Nm)
Cartridge Crack Pressure	90 PSI (6.2 bar)

TYPICAL SCHEMATIC



WARNING: the specifications/application data shown in our catalogs and data sheets are intended only as a general guide for the product described (herein). Any specific application should not be undertaken without independent study, evaluation, and testing for suitability.

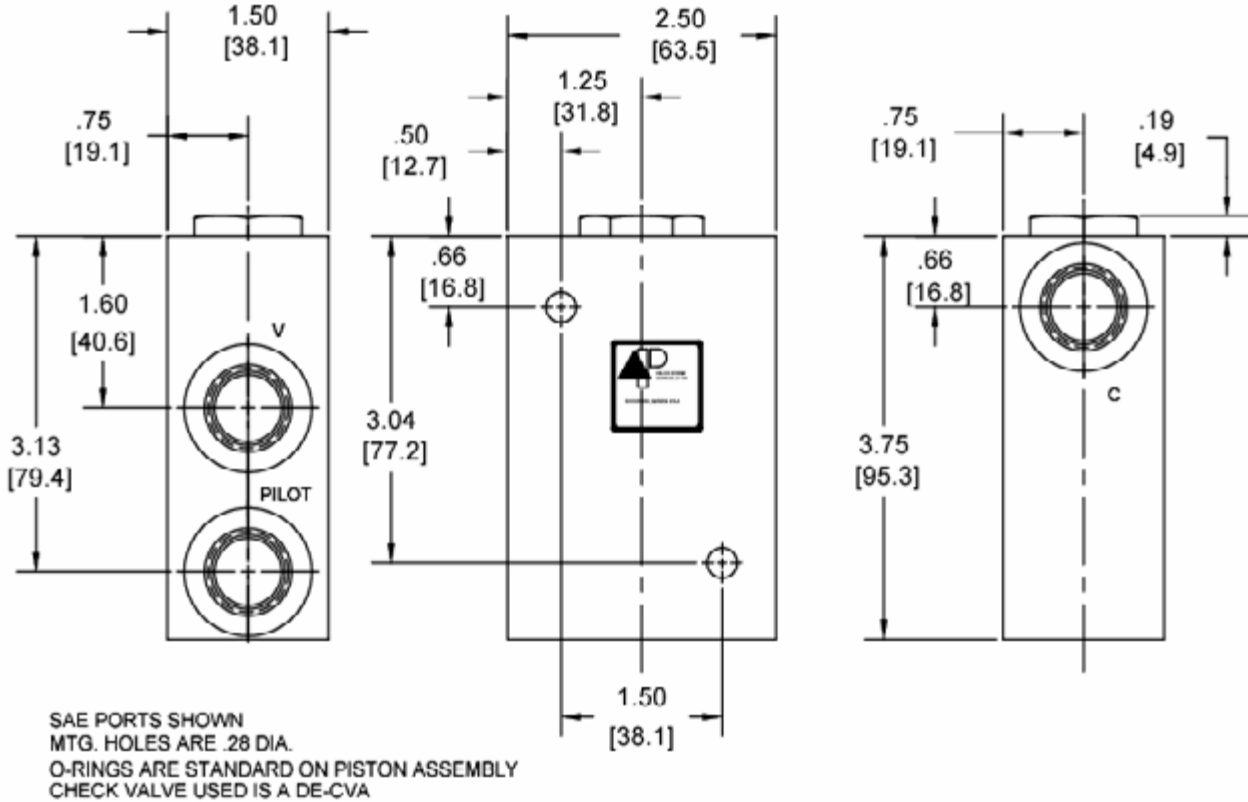


4484 Boeing Drive Rockford, IL 61109 • USA • Phone +1 (815) 397-6628 • Fax +1 (815) 397-2526
 mail: delta@delta-power.com • www.delta-power.com

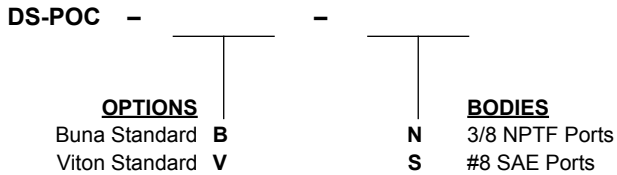


Via Malavolti, 36 • 41122 Modena • ITALY • Phone +39 (059) 254895 • Fax +39 (059) 253512
 mail: tecnord@tecnord.com • www.tecnord.com

DIMENSIONS



ORDERING INFORMATION



W7 / 2017

WARNING: the specifications/application data shown in our catalogs and data sheets are intended only as a general guide for the product described (herein). Any specific application should not be undertaken without independent study, evaluation, and testing for suitability.



4484 Boeing Drive Rockford, IL 61109 • USA • Phone +1 (815) 397-6628 • Fax +1 (815) 397-2526
 mail: delta@delta-power.com • www.delta-power.com



Via Malavolti, 36 • 41122 Modena • ITALY • Phone +39 (059) 254895 • Fax +39 (059) 253512
 mail: tecnord@tecnord.com • www.tecnord.com

SS-POC SINGLE PILOT OPERATED CHECK VALVE



DESCRIPTION

16 size, 1 5/16-12 thread, "Super" series, pilot operated check valve.

OPERATION

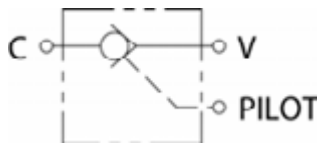
The SS-POC allows flow to pass from (V) to (C) and blocks flow from (C) to (V). When pilot pressure is applied to pilot port the valve allows flow from (C) to (V). The valve has a 3.7:1 pilot ratio, so at least .270 of the load pressure is required at the (PILOT) port to open the flow passage to allow flow from ports (C).

The check is spring-biased at 50 PSI (3.4 bar) to assure holding in static or no-load conditions.

FEATURES

- Hardened internal parts for long life.
- Anodized aluminum body for corrosion protection.

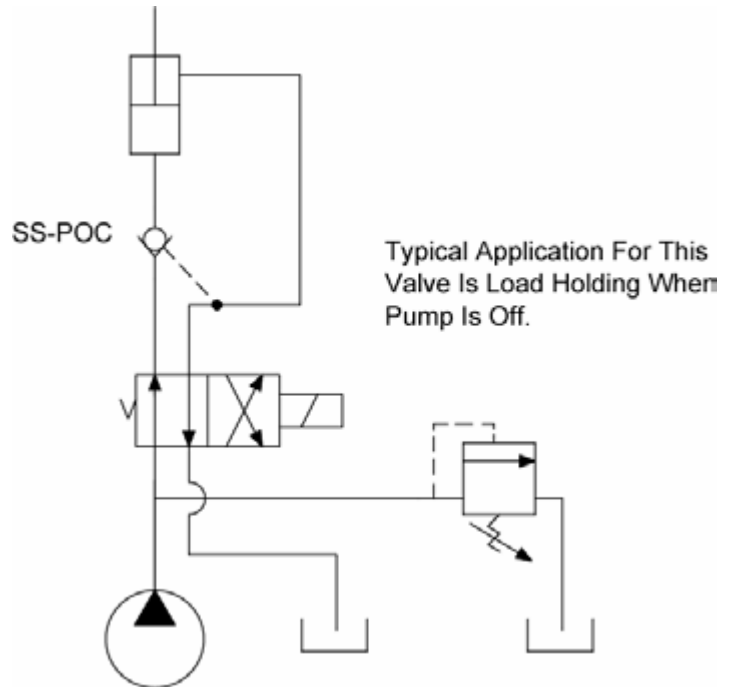
HYDRAULIC SYMBOL



VALVE SPECIFICATIONS

Nominal Flow	40 GPM (151 LPM)
Rated Operating Pressure	3500 PSI (241 bar)
Typical Internal Leakage (150 SSU)	0-5 drops/min
Viscosity Range	36 to 3000 SSU (3 to 647 cSt)
Filtration	30 micron nominal
Pilot Ratio	3.7:1
Media Operating Temp. Range	-40° to 250°F (-40° to 120°C)
Weight	4.3 lbs (2.0 kg)
Operating Fluid Media	General Purpose Hydraulic Fluid
Cartridge Torque Requirements	90 ft-lbs (122 Nm)
Cartridge Crack Pressure	50 PSI (3.4 bar)

TYPICAL SCHEMATIC



WARNING: the specifications/application data shown in our catalogs and data sheets are intended only as a general guide for the product described (herein). Any specific application should not be undertaken without independent study, evaluation, and testing for suitability.

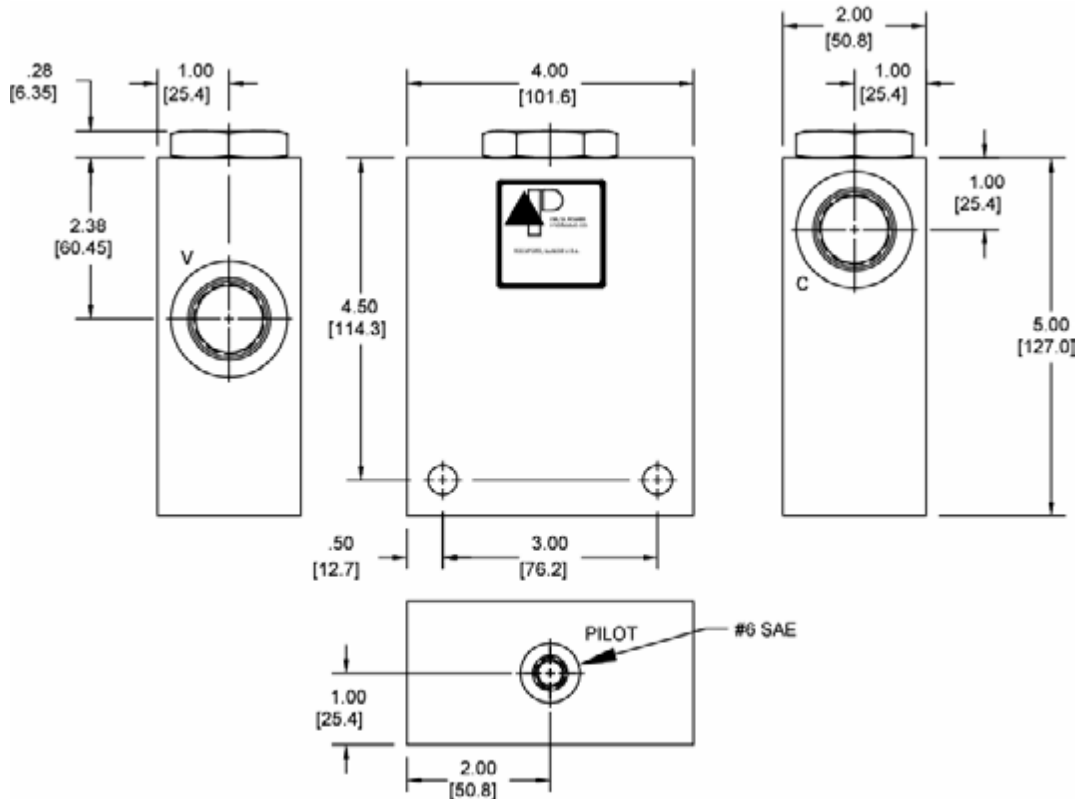


4484 Boeing Drive Rockford, IL 61109 • USA • Phone +1 (815) 397-6628 • Fax +1 (815) 397-2526
 mail: delta@delta-power.com • www.delta-power.com



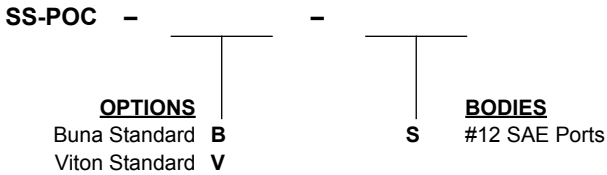
Via Malavolti, 36 • 41122 Modena • ITALY • Phone +39 (059) 254895 • Fax +39 (059) 253512
 mail: tecnord@tecnord.com • www.tecnord.com

DIMENSIONS



SAE PORTS SHOWN
 MTG. HOLES ARE .41 DIA.
 O-RINGS ARE STANDARD ON PISTON ASSEMBLY
 CHECK VALVE USED IS A SJ-CVA

ORDERING INFORMATION



W7 / 2017

WARNING: the specifications/application data shown in our catalogs and data sheets are intended only as a general guide for the product described (herein). Any specific application should not be undertaken without independent study, evaluation, and testing for suitability.



4484 Boeing Drive Rockford, IL 61109 • USA • Phone +1 (815) 397-6628 • Fax +1 (815) 397-2526
 mail: delta@delta-power.com • www.delta-power.com



Via Malavolti, 36 • 41122 Modena • ITALY • Phone +39 (059) 254895 • Fax +39 (059) 253512
 mail: tecnord@tecnord.com • www.tecnord.com