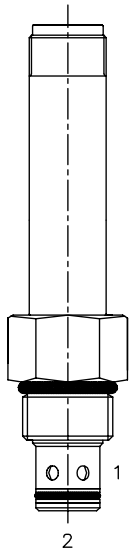


EE-P2H 2 WAY NORMALLY OPEN, PROPORTIONAL FLOW CONTROL VALVE



DESCRIPTION

10 size, 7/8-14 thread, solenoid operated, 2 way normally open, proportional flow control valve.

OPERATION

When de-energized the EE-P2H allows flow from (1) to (2). When fully energized, the valve blocks flow at port (1) and (2). Flow is proportional to current applied to the coil. A compensator must be used to create a pressure compensated flow control function.

OPERATION OF MANUAL OVERRIDE OPTION: to override, turn the manual override screw clockwise. To release turn the manual override screw counterclockwise.

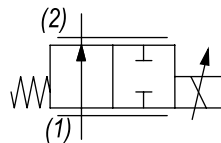
FEATURES

- Efficient wet-armature construction.
- Cartridges are voltage interchangeable.
- Industry common cavity.
- Unitized, molded coil design.
- Continuous duty rated solenoid.
- Optional coil voltages and terminations.



Curve is attained with compensator at with various settings.

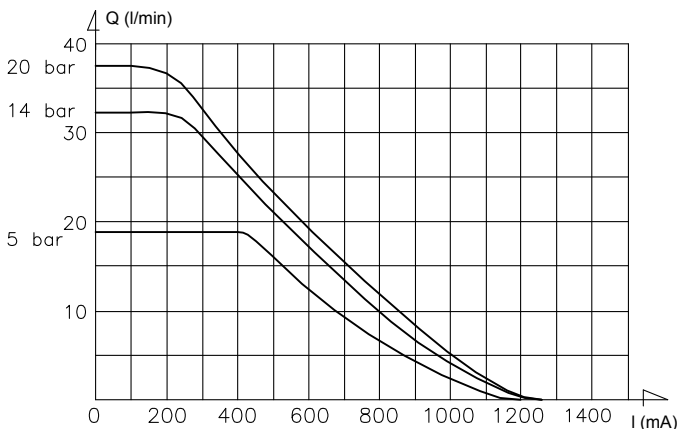
HYDRAULIC SYMBOL



PERFORMANCE

Flow (l/min) vs. Current (mA)

Coil 12 VDC - Delta P = 5, 14, 20 bar; Toil = 40°C



VALVE SPECIFICATIONS

Flow Range	See curve
Max System Pressure	3500 PSI (241 bar)
Leakage	Max 100 cc/min at 245 bar
Hysteresis	±4%
Viscosity Range	36 to 3000 SSU (3 to 647 cSt)
Filtration	ISO 18/16/13
Media Operating Temp. Range	-40°C to 250°F (-40°C to 120°C)
Weight	.58 lbs (.26 kg)
Operating Fluid Media	General Purpose Hydraulic Fluid
Cartridge Torque Requirements	26 ft-lbs (35 Nm)
Coil Nut Torque Requirements	2-3 ft-lbs (3-4 Nm)
Cavity	DELTA 2W
Cavity Tools Kit (form tool, reamer, tap)	40500000
Seal Kit	21191200

COIL SPECIFICATIONS

Current Supply Characteristics	PWM (Pulse Width Modulation)
Rated Current Range	0 - 1450 mA
PWM or Super-Imposed	
Dither Frequency	100-150 Hz
Coil Resistance (12 VDC)	7.5 Ohm ±5% at 68°F (20°C)

WARNING: the specifications/application data shown in our catalogs and data sheets are intended only as a general guide for the product described (herein). Any specific application should not be undertaken without independent study, evaluation, and testing for suitability.

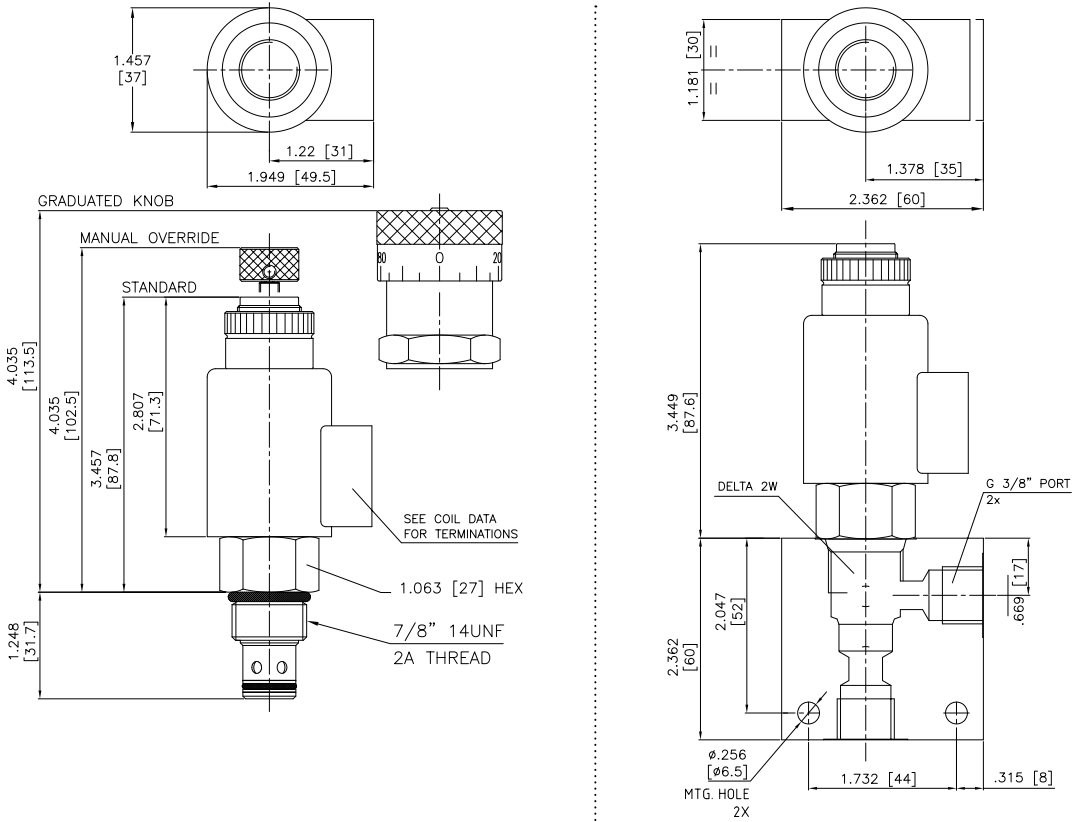


4484 Boeing Drive Rockford, IL 61109 • USA • Phone +1 (815) 397-6628 • Fax +1 (815) 397-2526
mail: delta@delta-power.com • www.delta-power.com



Via Malavolti, 36 • 41122 Modena • ITALY • Phone +39 (059) 254895 • Fax +39 (059) 253512
mail: tecnord@tecnord.com • www.tecnord.com

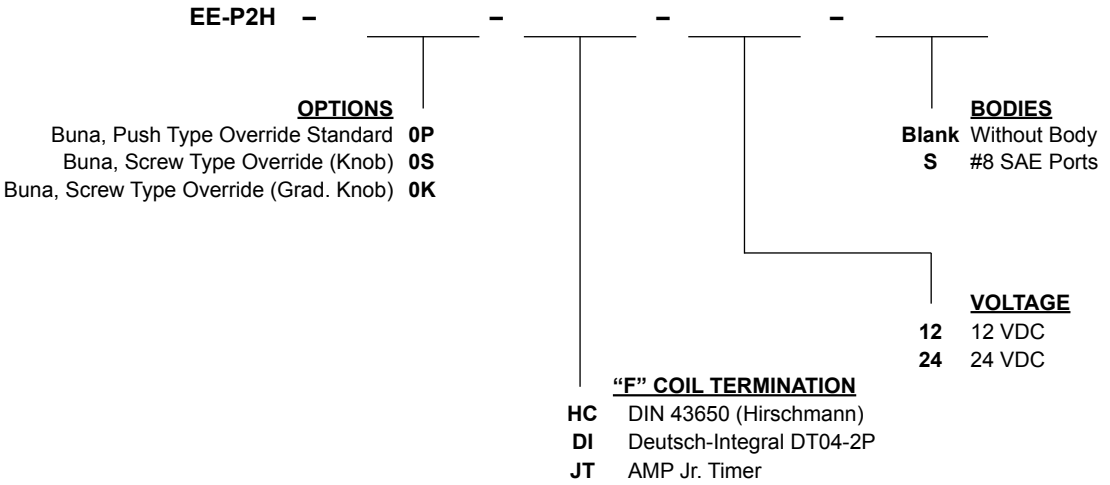
DIMENSIONS



(for bodies style and sizes see section "Accessories")

ORDERING INFORMATION

Approximate Coil Weight: .47 lbs (.21 kg)



NOTE: for other seals, consult factory.

WARNING: the specifications/application data shown in our catalogs and data sheets are intended only as a general guide for the product described (herein). Any specific application should not be undertaken without independent study, evaluation, and testing for suitability.



4484 Boeing Drive Rockford, IL 61109 • USA • Phone +1 (815) 397-6628 • Fax +1 (815) 397-2526
 mail: delta@delta-power.com • www.delta-power.com



Via Malavolti, 36 • 41122 Modena • ITALY • Phone +39 (059) 254895 • Fax +39 (059) 253512
 mail: tecnord@tecnord.com • www.tecnord.com