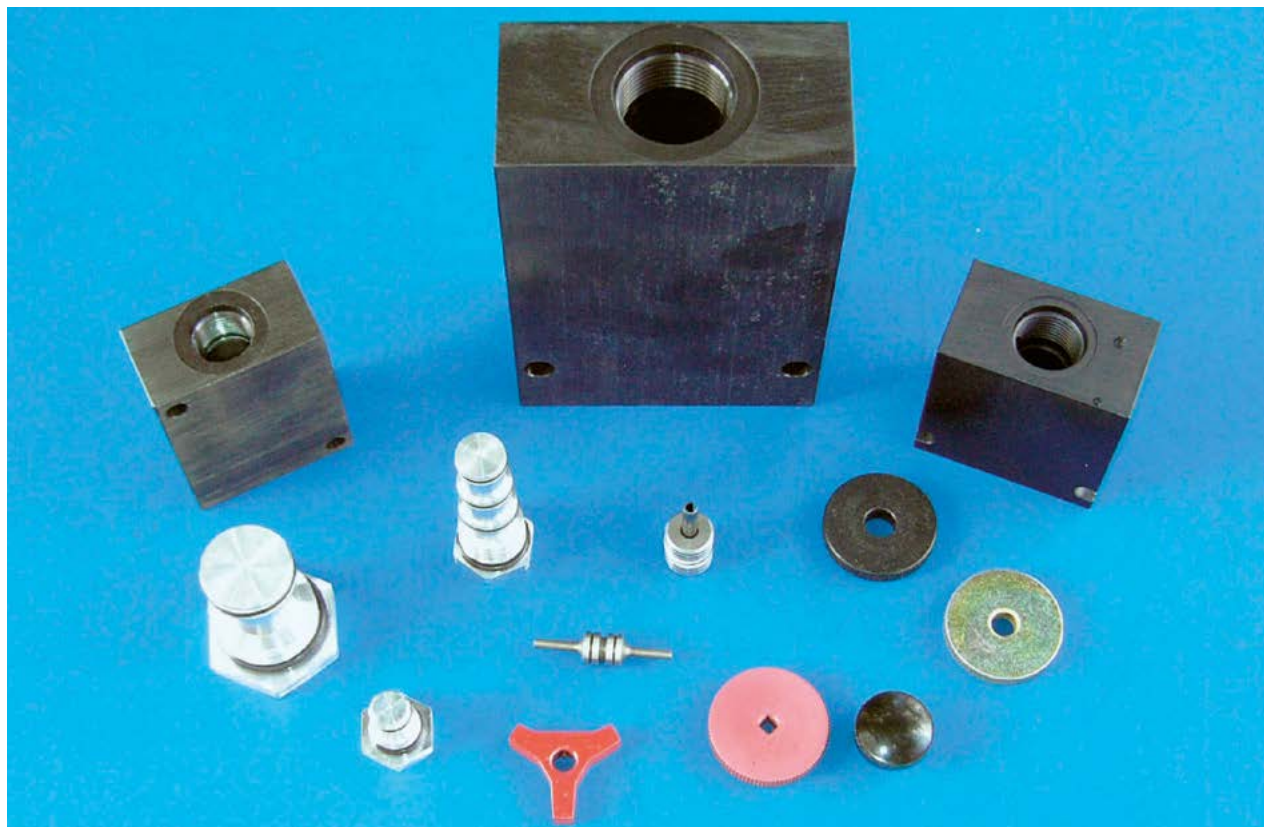


ACCESSORIES



Section / Description	page
VALVE BODIES	AC2
CAVITY PLUGS	AC4
MANUAL OVERRIDE OPTIONS	AC9
PILOT PISTON ASSEMBLIES	AC11
STANDARD KNOB ASSEMBLIES	AC12

WARNING: the specifications/application data shown in our catalogs and data sheets are intended only as a general guide for the product described (herein). Any specific application should not be undertaken without independent study, evaluation, and testing for suitability.

W/29 / 2020



4484 Boeing Drive Rockford, IL 61109 • USA • Phone +1 (815) 397-6628 • Fax +1 (815) 397-2526
 mail: delta@delta-power.com • www.delta-power.com



Via Malavolti, 36 • 41122 Modena • ITALY • Phone +39 (059) 254895 • Fax +39 (059) 253512
 mail: tecnord@tecnord.com • www.tecnord.com

STANDARD BODIES - DELTA

BODY	PORT SIZE	P/N	STYLE / SIZE	DIMENSIONS					
				A	B	C	D	E	F
AN	1/4 NPT	30102126	2W-5/8	1.25	2.25	1.75	1.13	1.00	1.50
AS	#6 SAE	30102346	2W-5/8	1.25	2.25	1.75	1.13	1.00	1.50
CN	1/4 NPT	30102097	3W-5/8	1.25	2.0	2.25	1.0	1.875	1.5
CS	#6SAE	30102373	3W-5/8	1.25	2.5	2.25	1.25	1.875	2.0
DN	1/4 NPT	30102110	4W-5/8	1.25	2.0	2.75	1.0	2.375	1.5
DS	#6SAE	30102288	4W-5/8	1.25	2.0	2.75	1.125	2.375	1.5
BN	1/4 NPT	30102127	2W-3/4	1.25	2.0	2.0	1.00	1.50	1.50
BS	#6SAE	30102466	2W-3/4	1.25	2.0	2.0	1.125	1.50	1.50
PN	1/4 NPT	30102534	3W-3/4	1.25	2.25	2.5	1.125	2.0	1.75
PS	#6SAE	30102533	3W-3/4	1.25	2.25	2.5	1.125	2.0	1.75
QN	1/4 NPT	30102536	4W-3/4	1.25	2.25	3.0	1.125	2.50	1.75
QS	#6SAE	30102535	4W-3/4	1.25	2.25	3.0	1.125	2.50	1.75
EN	3/8 NPT	30102006	2W-7/8	1.5	2.0	2.125	1.00	1.625	1.50
ES	#8 SAE	30102359	2W-7/8	1.5	2.0	2.0	1.25	1.50	1.75
FN	1/4 NPT	30102015	3W-7/8	1.5	2.0	2.5	1.0	1.50	1.50
FS	#6SAE	30102360	3W-7/8	1.5	2.5	2.5	1.25	2.125	2.25
GN	1/4 NPT	30102014	4W-7/8	1.5	2.0	3.25	1.0	2.125	1.50
GS	#6SAE	30102367	4W-7/8	1.5	2.5	3.25	1.25	2.875	2.25
TS	#12 SAE	30102813	2W-1 1/16	1.75	2.75	3.09	1.69	0.84	2.20
US	#10 SAE	30102815	3W-1 1/16	1.75	3.00	3.87	1.50	2.00	2.30
RS	#10 SAE	30102638	SHORT 3W-1 1/16	2.0	3.00	3.25	1.50	2.70	2.38
VS	#10 SAE	30102816	4W-1 1/16	1.75	3.00	4.75	1.50	3.00	2.30
JN	3/4 NPT	30102334	2W-1 5/16	2.0	3.0	3.0	1.875	2.25	2.438
JS	#12 SAE	30102331	2W-1 5/16	2.0	3.0	3.0	1.875	2.25	2.438
KS	#12 SAE	30102576	3W-1 5/16	2.0	4.0	4.0	2.0	3.125	3.38
LS	#12 SAE	30102575	SHORT 3W-1 5/16	2.0	3.5	3.5	1.875	2.75	2.88
NS	#12 SAE	30102577	4W-1 5/16	2.0	4.0	5.25	2.0	4.25	3.38
OS	#12 SAE	30102589	5W-1 5/16	2.0	4.0	5.75	2.0	4.75	3.38

The following bodies are non-standard port sizes, contact factory for price and availability

E1/2	1/2 NPT	30102336	2W-7/8	1.5	2.5	2.5	1.50	2.0	2.0
E#6	#6 SAE	30102364	2W-7/8	1.5	2.0	2.0	1.25	1.50	1.75
F3/8	3/8 NPT	30102370	3W-7/8	1.5	2.0	2.5	1.25	2.125	2.25
F#8	#8 SAE	30102354	3W-7/8	1.5	2.50	2.75	1.25	2.125	2.00
G#8	#8 SAE	30102362	4W-7/8	1.5	2.5	3.25	1.25	2.875	2.25
J16	#16 SAE	30102333	2W-1 5/16	2.0	3.0	3.0	1.875	2.25	2.438

WARNING: the specifications/application data shown in our catalogs and data sheets are intended only as a general guide for the product described (herein). Any specific application should not be undertaken without independent study, evaluation, and testing for suitability.

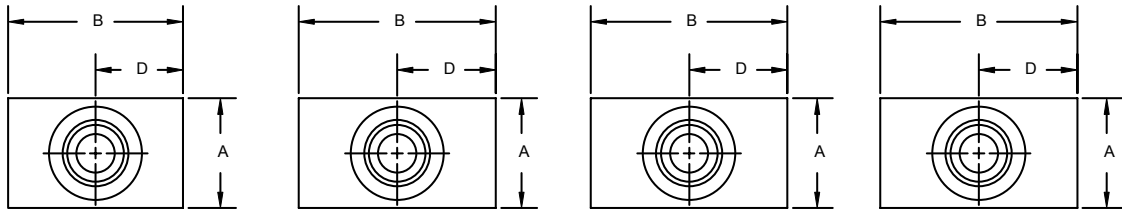


4484 Boeing Drive Rockford, IL 61109 • USA • Phone +1 (815) 397-6628 • Fax +1 (815) 397-2526
mail: delta@delta-power.com • www.delta-power.com

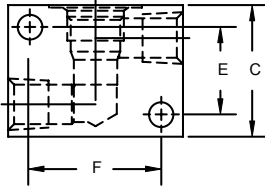
TECNORD

Via Malavolti, 36 • 41122 Modena • ITALY • Phone +39 (059) 254895 • Fax +39 (059) 253512
mail: tecnord@tecnord.com • www.tecnord.com

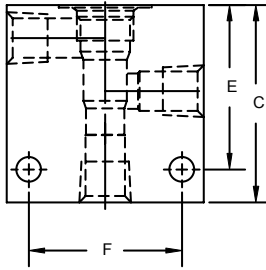
STANDARD BODIES



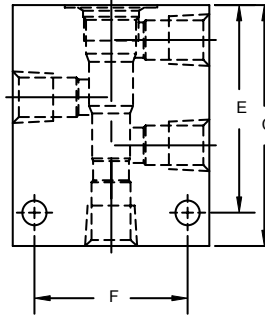
AN, AS, BN, BS



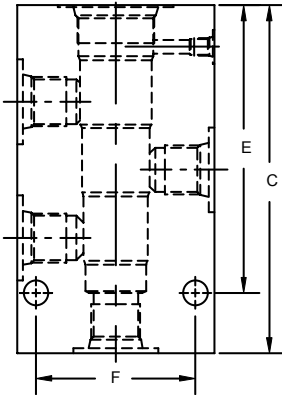
LS, RS
CN, CS, KS



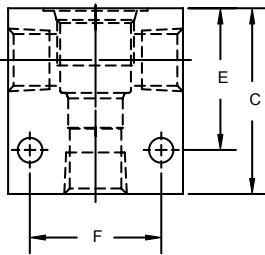
DN - DS - NS



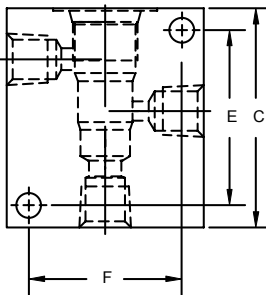
OS



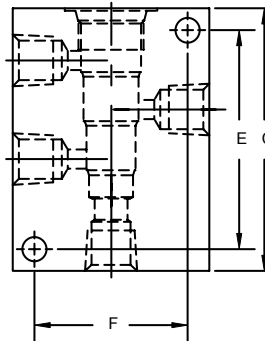
EN



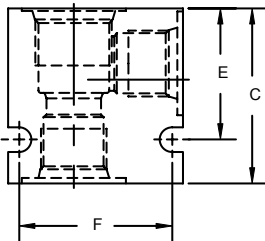
PN, PS, FN, US



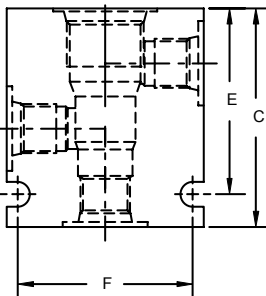
QN, QS, GN, VS



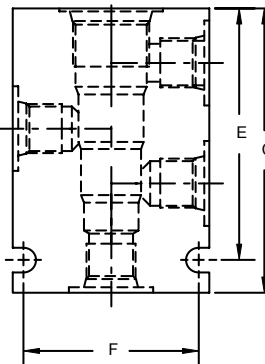
ES, JN, JS, TS



FS



GS



W/29 / 2020

WARNING: the specifications/application data shown in our catalogs and data sheets are intended only as a general guide for the product described (herein). Any specific application should not be undertaken without independent study, evaluation, and testing for suitability.



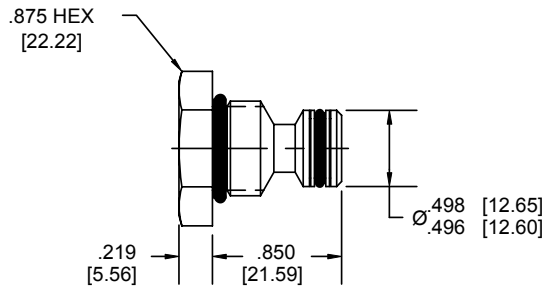
4484 Boeing Drive Rockford, IL 61109 • USA • Phone +1 (815) 397-6628 • Fax +1 (815) 397-2526
mail: delta@delta-power.com • www.delta-power.com



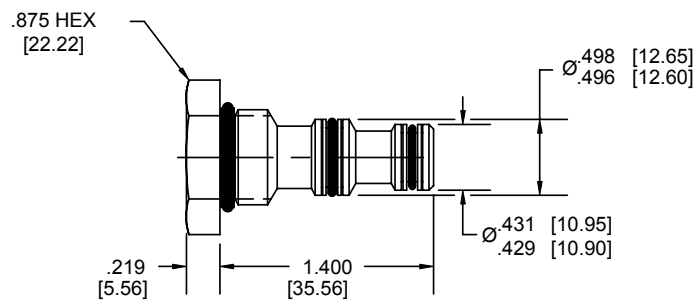
Via Malavolti, 36 • 41122 Modena • ITALY • Phone +39 (059) 254895 • Fax +39 (059) 253512
mail: tecnord@tecnord.com • www.tecnord.com

MINI SERIES CAVITY PLUGS

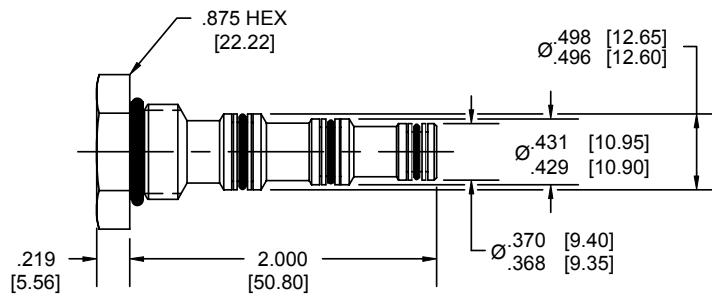
NOTE: dimensions in brackets are millimeters



2W 2P CAVITY PLUG
MA SERIES



3W 2P CAVITY PLUG
MC SERIES



4W 2P CAVITY PLUG
MD SERIES

ORDERING INFORMATION

Standard Model Number

2 Way
3 Way
4 Way

MA
MC
MD

00
V0

Options

Standard Buna
Standard Viton

WARNING: the specifications/application data shown in our catalogs and data sheets are intended only as a general guide for the product described (herein). Any specific application should not be undertaken without independent study, evaluation, and testing for suitability.



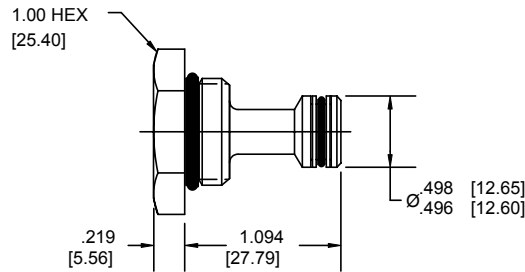
4484 Boeing Drive Rockford, IL 61109 • USA • Phone +1 (815) 397-6628 • Fax +1 (815) 397-2526
mail: delta@delta-power.com • www.delta-power.com



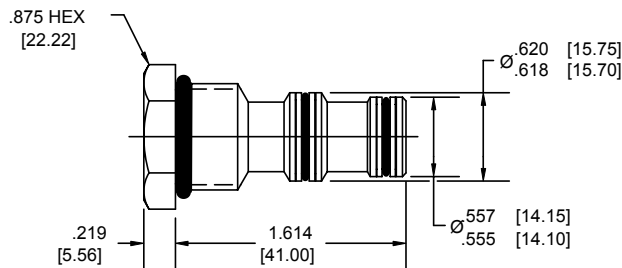
Via Malavolti, 36 • 41122 Modena • ITALY • Phone +39 (059) 254895 • Fax +39 (059) 253512
mail: tecnord@tecnord.com • www.tecnord.com

POWER SERIES CAVITY PLUGS

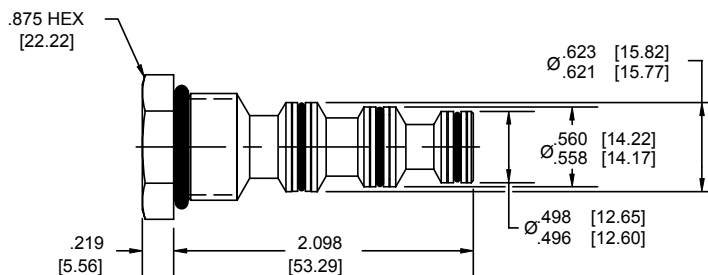
NOTE: dimensions in brackets are millimeters



2W 2P CAVITY PLUG
PB SERIES



3W 2P CAVITY PLUG
PP SERIES



4W 2P CAVITY PLUG
PQ SERIES

ORDERING INFORMATION

Standard Model Number

2 Way
3 Way
4 Way

PB
PP
PQ

00
V0

Options

Standard Buna
Standard Viton

W 29 / 2020

WARNING: the specifications/application data shown in our catalogs and data sheets are intended only as a general guide for the product described (herein). Any specific application should not be undertaken without independent study, evaluation, and testing for suitability.



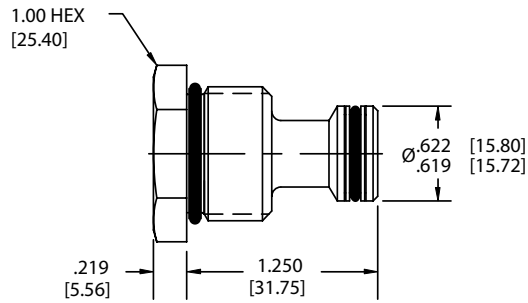
4484 Boeing Drive Rockford, IL 61109 • USA • Phone +1 (815) 397-6628 • Fax +1 (815) 397-2526
mail: delta@delta-power.com • www.delta-power.com



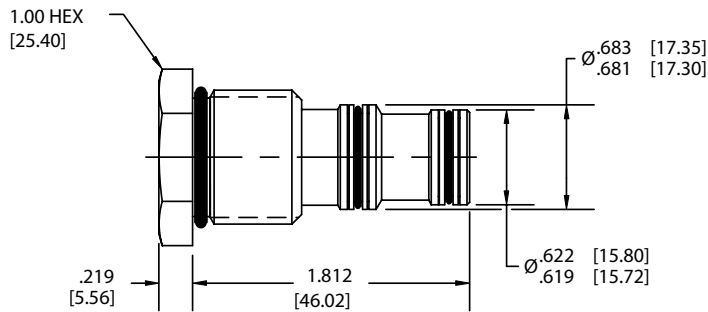
Via Malavolti, 36 • 41122 Modena • ITALY • Phone +39 (059) 254895 • Fax +39 (059) 253512
mail: tecnord@tecnord.com • www.tecnord.com

DELTA SERIES CAVITY PLUGS

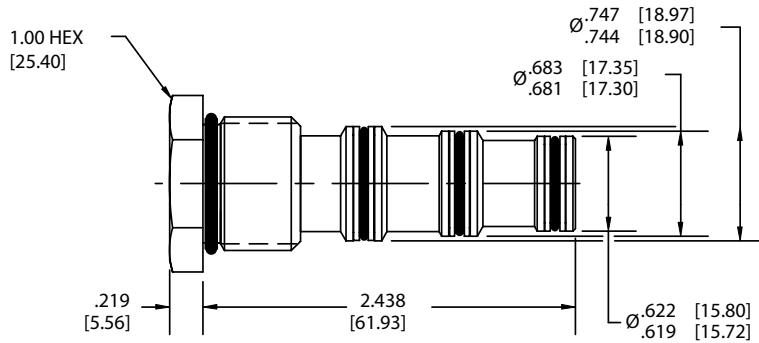
NOTE: dimensions in brackets are millimeters



**2W 2P CAVITY PLUG
DE SERIES**



**3W 2P CAVITY PLUG
DF SERIES**



**4W 2P CAVITY PLUG
DG SERIES**

ORDERING INFORMATION

Standard Model Number

2 Way
3 Way
4 Way

DE
DF
DG

00
V0

Options

Standard Buna
Standard Viton

WARNING: the specifications/application data shown in our catalogs and data sheets are intended only as a general guide for the product described (herein). Any specific application should not be undertaken without independent study, evaluation, and testing for suitability.



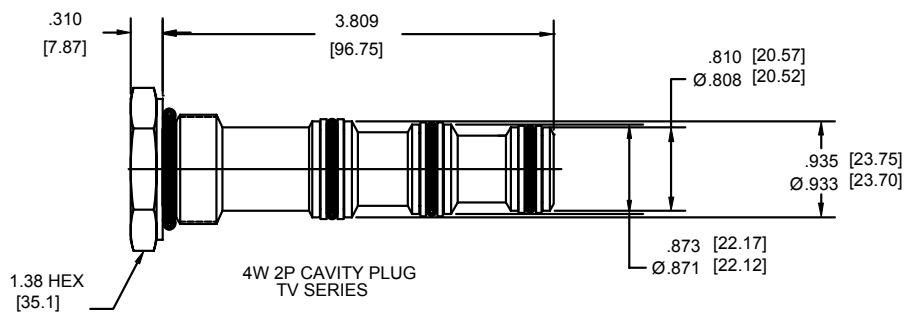
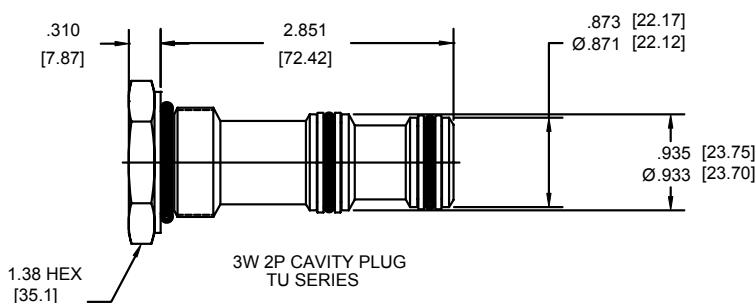
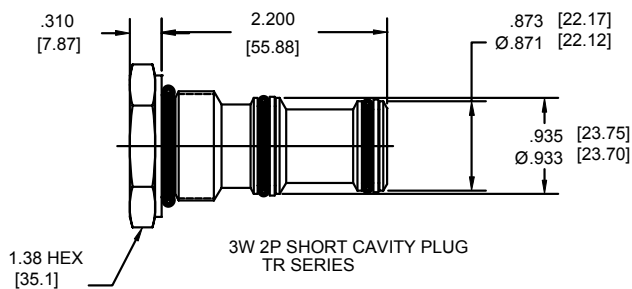
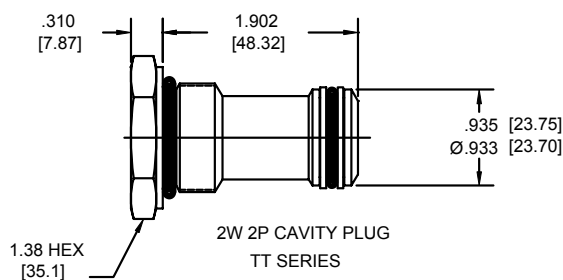
4484 Boeing Drive Rockford, IL 61109 • USA • Phone +1 (815) 397-6628 • Fax +1 (815) 397-2526
mail: delta@delta-power.com • www.delta-power.com



Via Malavolti, 36 • 41122 Modena • ITALY • Phone +39 (059) 254895 • Fax +39 (059) 253512
mail: tecnord@tecnord.com • www.tecnord.com

TECNORD SERIES CAVITY PLUGS

NOTE: dimensions in brackets are millimeters



ORDERING INFORMATION

Standard Model Number

2 Way	TT	00
3 Way	TU	V0
3 Way Short	TR	
4 Way	TV	

Options

Standard Buna
Standard Viton

W/29 / 2020

WARNING: the specifications/application data shown in our catalogs and data sheets are intended only as a general guide for the product described (herein). Any specific application should not be undertaken without independent study, evaluation, and testing for suitability.



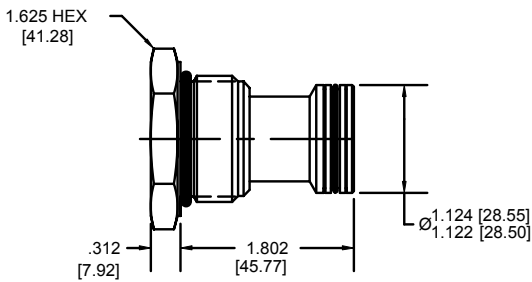
4484 Boeing Drive Rockford, IL 61109 • USA • Phone +1 (815) 397-6628 • Fax +1 (815) 397-2526
mail: delta@delta-power.com • www.delta-power.com



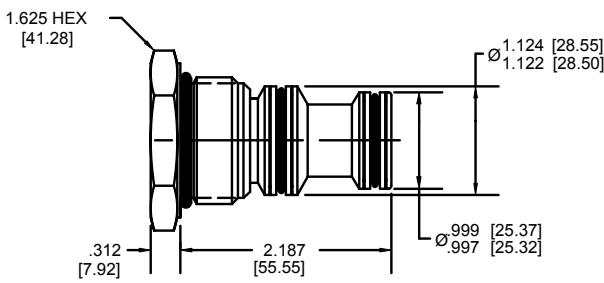
Via Malavolti, 36 • 41122 Modena • ITALY • Phone +39 (059) 254895 • Fax +39 (059) 253512
mail: tecnord@tecnord.com • www.tecnord.com

SUPER SERIES CAVITY PLUGS

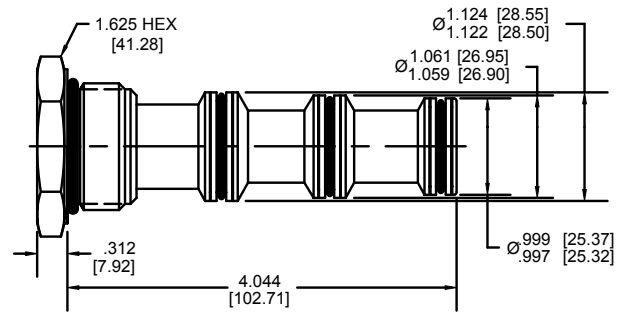
NOTE: dimensions in brackets are millimeters



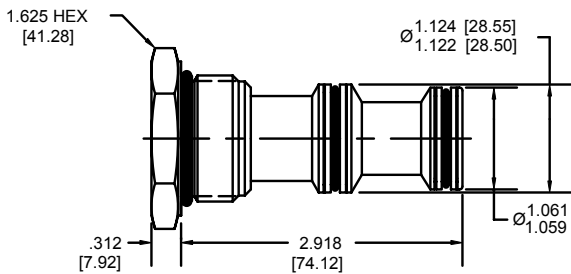
2W 2P CAVITY PLUG
SJ SERIES



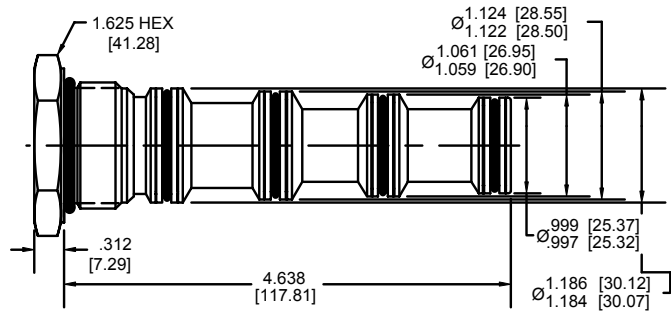
3W 2P SHORT CAVITY PLUG
SL SERIES



4W 2P CAVITY PLUG
SM SERIES



3W 2P CAVITY PLUG
SK SERIES



5W 2P SHORT CAVITY PLUG
SO SERIES

ORDERING INFORMATION

Standard Model Number

2 Way	SJ	00
3 Way Short	SL	V0
3 Way	SK	
4 Way	SM	
5 Way Short	S0	

Options

Standard Buna
Standard Viton

WARNING: the specifications/application data shown in our catalogs and data sheets are intended only as a general guide for the product described (herein). Any specific application should not be undertaken without independent study, evaluation, and testing for suitability.



4484 Boeing Drive Rockford, IL 61109 • USA • Phone +1 (815) 397-6628 • Fax +1 (815) 397-2526
mail: delta@delta-power.com • www.delta-power.com



Via Malavolti, 36 • 41122 Modena • ITALY • Phone +39 (059) 254895 • Fax +39 (059) 253512
mail: tecnord@tecnord.com • www.tecnord.com

MANUAL OVERRIDE OPTIONS

PULL TYPE MANUAL OVERRIDE OPTION

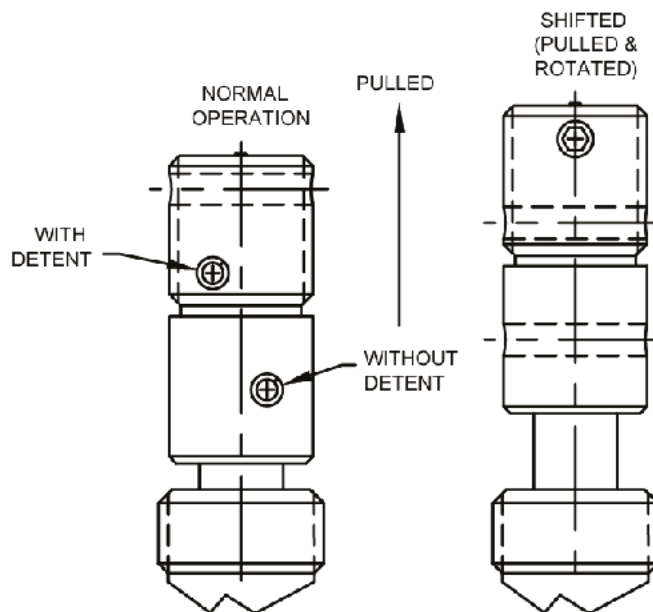
Standard override option for pull type solenoid valves.

This override is offered with or without the detent option.

With detent option, pull and rotate 180 degrees, when released the override will remain in that position.

To return to the normal operating position, Rotate knob 180 degrees and release.

Without the detent option, knob must be pulled and held to maintain override position.



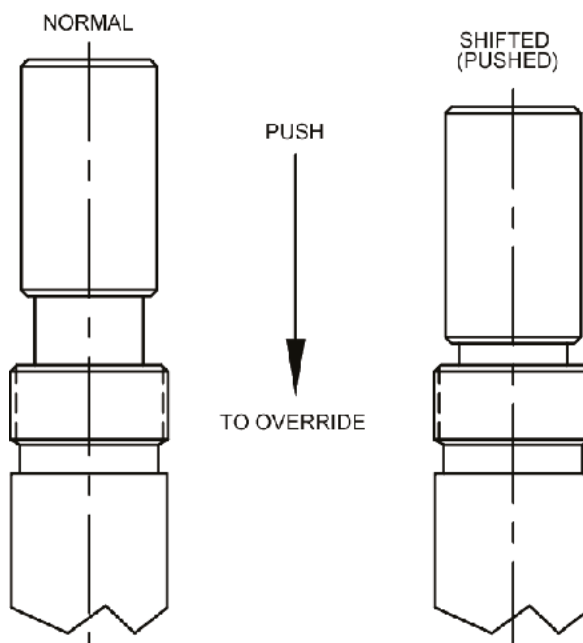
PUSH TYPE MANUAL OVERRIDE OPTION

Standard push type override option used for 4W3P valves.

To activate override option, push knob and Hold, when released, the valve returns to normal operation position.

Note: override option only functions in the push (S1 coil) direction.

This override option is intended for emergency use only and is not intended for continuous duty operation.



W 29 / 2020

WARNING: the specifications/application data shown in our catalogs and data sheets are intended only as a general guide for the product described (herein). Any specific application should not be undertaken without independent study, evaluation, and testing for suitability.



4484 Boeing Drive Rockford, IL 61109 • USA • Phone +1 (815) 397-6628 • Fax +1 (815) 397-2526
 mail: delta@delta-power.com • www.delta-power.com



Via Malavolti, 36 • 41122 Modena • ITALY • Phone +39 (059) 254895 • Fax +39 (059) 253512
 mail: tecnord@tecnord.com • www.tecnord.com

MANUAL OVERRIDE OPTIONS

ROTARY TYPE MANUAL OVERRIDE OPTION

Standard rotary override option for normally open valves.

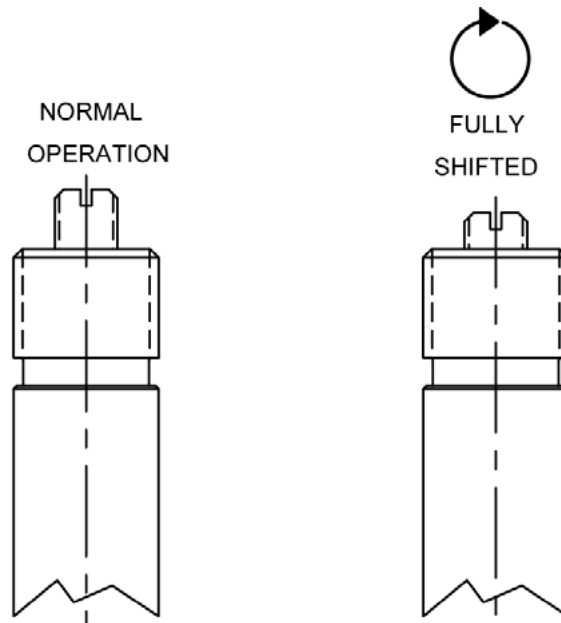
This override option is offered with or without a knob.

To activate override option, fully rotate using a flat tip screwdriver or the knob in a clockwise direction.

To de-activate override, fully rotate using a flat tip screwdriver or the knob in a counter clockwise direction.

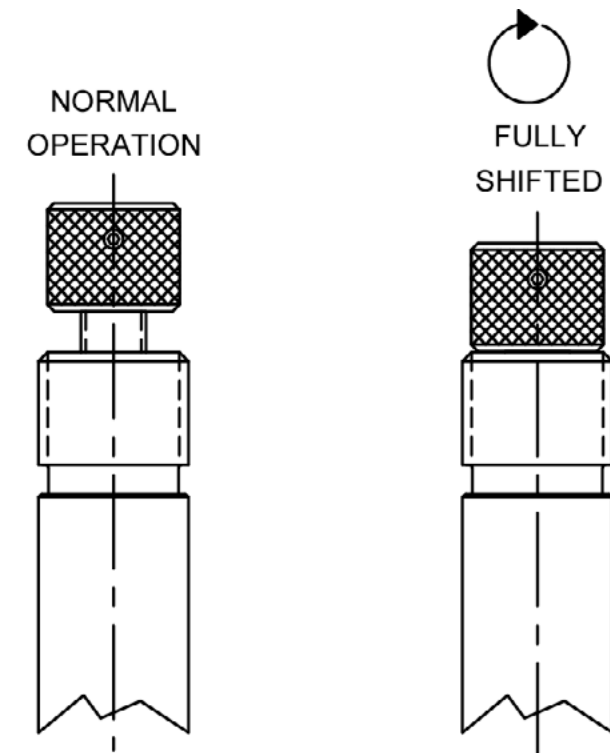
Note: not rotating override fully in either direction will result in partial shifting of valve.

WARNING: Over torque of manual override could result in valve damage.



Note: rotary Pull Type Manual Override Option (Pull type Valves-Reference Models HB-S2A & HB-S2B).

Because HB-S2A & HB-S2B are Pull type Valves, “fully in” is the normal state and “fully out” is “fully shifted” state so opposite of what is shown in image”.



WARNING: the specifications/application data shown in our catalogs and data sheets are intended only as a general guide for the product described (herein). Any specific application should not be undertaken without independent study, evaluation, and testing for suitability.



4484 Boeing Drive Rockford, IL 61109 • USA • Phone +1 (815) 397-6628 • Fax +1 (815) 397-2526
 mail: delta@delta-power.com • www.delta-power.com

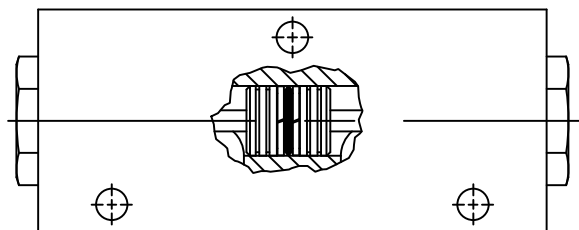


Via Malavolti, 36 • 41122 Modena • ITALY • Phone +39 (059) 254895 • Fax +39 (059) 253512
 mail: tecnord@tecnord.com • www.tecnord.com

PILOT PISTON ASSEMBLIES

DESCRIPTION

These pistons are used in a manifold to create pilot operated valve assemblies, such as pilot operated checks.



FEATURES

- O-rings on piston are optional.
- One piece design or pressed fit dowel pins
- Single or double pilot piston options.

PISTON SPECIFICATIONS

VALVE SERIES	SEAT DIAMETER	PILOT RATIO
MINI	.193	6.7:1
POWER	.250	4:1
DELTA	.312	4:1
SUPER	.590	3.7:1

<p>MINI SERIES</p>	<p>POWER SERIES</p>
<p>DELTA SERIES</p>	<p>SUPER SERIES</p>

CAVITY INFORMATION	SERIES	BORE DIAMETER	DOUBLE - SPOTFACE DIM.	SINGLE - SPOTFACE DIM.
		A	B	C
	MINI	.500/.502	3.313	2.031
	POWER	.500/.502	4.250	2.406
	DELTA	.625/.627	4.500	2.750
	SUPER	1.126/1.128	6.938	4.000

ORDERING INFORMATION

	PISTON		SEALS		PILOT PIN OPTIONS
	MINI Series .500 DIA	M	B Buna	S Single	
	POWER Series .500 DIA	P	V Viton	D Double	
	DELTA Series .625 DIA	D	O Omit		
	SUPER Series 1.12 DIA	S			

WARNING: the specifications/application data shown in our catalogs and data sheets are intended only as a general guide for the product described (herein). Any specific application should not be undertaken without independent study, evaluation, and testing for suitability.

W/29 / 2020

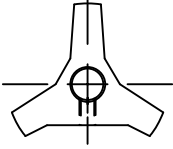
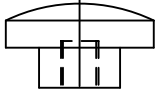
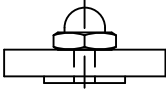
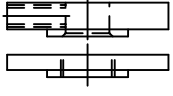
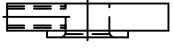
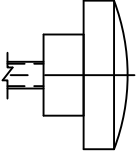
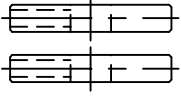
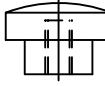
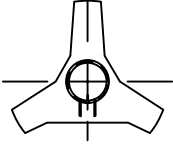


4484 Boeing Drive Rockford, IL 61109 • USA • Phone +1 (815) 397-6628 • Fax +1 (815) 397-2526
 mail: delta@delta-power.com • www.delta-power.com



Via Malavolti, 36 • 41122 Modena • ITALY • Phone +39 (059) 254895 • Fax +39 (059) 253512
 mail: tecnord@tecnord.com • www.tecnord.com

STANDARD KNOB ASSEMBLIES

	22020047 34502032 66700059	MINI SERIES
	34502000	DELTA SERIES
	22020005 34502006 36202008	DELTA SERIES
	22020004 34502004 34502003 66700027	DELTA SERIES
	22020003 34502003 66700027	DELTA SERIES
	34502008	DELTA SERIES
	22020049 34502017 66700059	DELTA SERIES SUPER SERIES
	34502024	POWER SERIES
	22020058 34502019 66700059	POWER SERIES

WARNING: the specifications/application data shown in our catalogs and data sheets are intended only as a general guide for the product described (herein). Any specific application should not be undertaken without independent study, evaluation, and testing for suitability.



4484 Boeing Drive Rockford, IL 61109 • USA • Phone +1 (815) 397-6628 • Fax +1 (815) 397-2526
mail: delta@delta-power.com • www.delta-power.com

TECNORD

Via Malavolti, 36 • 41122 Modena • ITALY • Phone +39 (059) 254895 • Fax +39 (059) 253512
mail: tecnord@tecnord.com • www.tecnord.com