

**DE-MCF MANUAL POPPET VALVE, 2 WAY NORMALLY CLOSED, PULL TYPE, SOFT SEAT**

**DESCRIPTION**

10 size, 7/8-14 thread, "Delta" series, manual poppet valve, 2 way normally closed, pull type, soft seat.

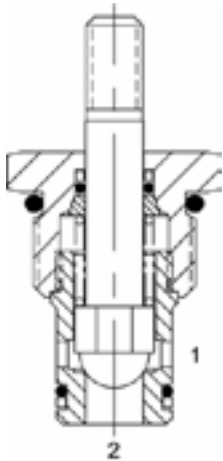
**OPERATION**

The DE-MCF blocks flow from (1) to (2) until an operator pulls the shaft outward. The bias spring allows for backpressure at (2) before the valve will open (see option page for pressure).

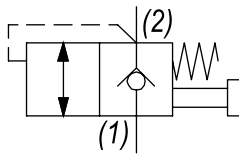
Note: pressure at port (2) will directly act on the spool and spring. Port (2) is intended to be a tank port only.

**FEATURES**

- Soft seat for ultra low leakage.
- Industry common cavity.



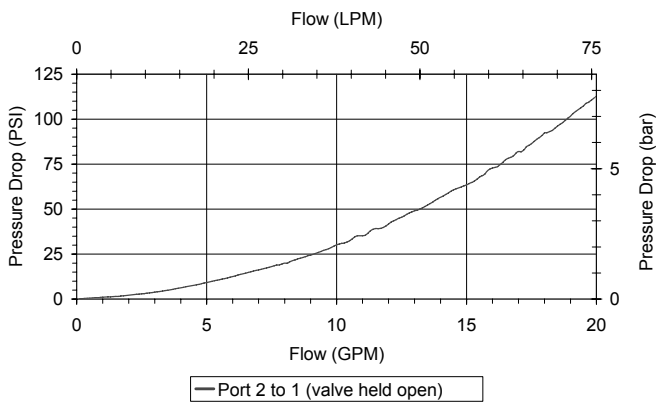
**HYDRAULIC SYMBOL**



Pressure above **SPRING BIAS PRESSURE** at port (2) may cause valve to self open.

**PERFORMANCE**

Actual Test Data (Cartridge Only)



**VALVE SPECIFICATIONS**

|                                    |                                 |
|------------------------------------|---------------------------------|
| Nominal Flow                       | 20 GPM (76 LPM)                 |
| Rated Operating Pressure           | 1500 PSI (103 bar)              |
| Typical Internal Leakage (150 SSU) | Negligible                      |
| Viscosity Range                    | 36 to 3000 SSU (3 to 647 cSt)   |
| Filtration                         | ISO 18/16/13                    |
| Media Operating Temp. Range        | -32° to 160°F (0° to 70°C)      |
| Weight                             | .14 lbs (.06 kg)                |
| Operating Fluid Media              | General Purpose Hydraulic Fluid |
| Cartridge Torque Requirements      | 30 ft-lbs (40.6 Nm)             |
| Cavity                             | DELTA 2W                        |
| Cavity Form Tool (Finishing)       | 40500000                        |
| Seal Kit                           | 21191200                        |

**WARNING:** the specifications/application data shown in our catalogs and data sheets are intended only as a general guide for the product described (herein). Any specific application should not be undertaken without independent study, evaluation, and testing for suitability.

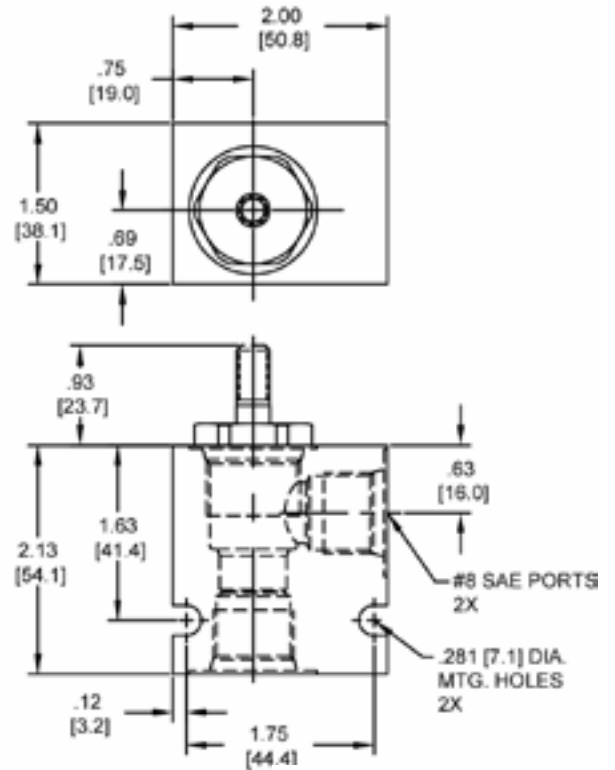
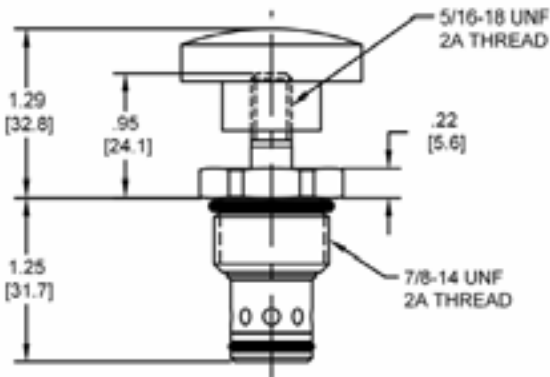
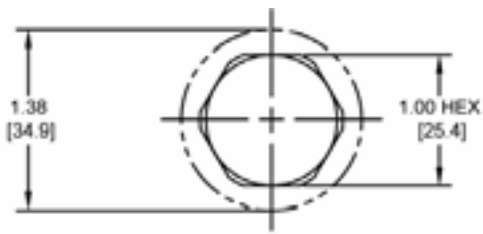


4484 Boeing Drive Rockford, IL 61109 • USA • Phone +1 (815) 397-6628 • Fax +1 (815) 397-2526  
mail: delta@delta-power.com • www.delta-power.com



Via Malavolti, 36 • 41122 Modena • ITALY • Phone +39 (059) 254895 • Fax +39 (059) 253512  
mail: tecnord@tecnord.com • www.tecnord.com

DIMENSIONS



Body Weight: .47 lbs (.21 kg)

ORDERING INFORMATION

DE-MCF - - -

**OPTIONS**

- Buna Standard **00**
- Viton Standard **V0**
- Buna, Screen **A0**
- Viton, Screen **W0**
- Buna, Knob **OK**
- Viton, Knob **VK**
- Buna, Knob, Screen **AK**
- Viton, Knob, Screen **WK**

**BODIES**

- Blank Without Body
- N** 3/8" NPTF Ports
- S** #8 SAE Ports

**SPRING BIAS PRESSURE**

**0065** 65 PSI

Note: use screen only if flow direction is from (1) to (2).

Note: pressure above SPRING BIAS PRESSURE at port (2) may cause valve to self open.

W 40 / 2018

WARNING: the specifications/application data shown in our catalogs and data sheets are intended only as a general guide for the product described (herein). Any specific application should not be undertaken without independent study, evaluation, and testing for suitability.



4484 Boeing Drive Rockford, IL 61109 • USA • Phone +1 (815) 397-6628 • Fax +1 (815) 397-2526  
mail: delta@delta-power.com • www.delta-power.com



Via Malavolti, 36 • 41122 Modena • ITALY • Phone +39 (059) 254895 • Fax +39 (059) 253512  
mail: tecnord@tecnord.com • www.tecnord.com