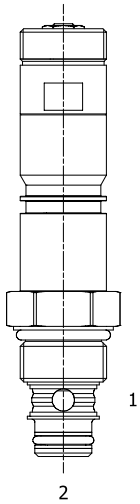


**EB-P2A 2 WAY NORMALLY CLOSED, PROPORTIONAL FLOW CONTROL VALVE**



**DESCRIPTION**

8 size, 3/4-16 thread, solenoid operated, 2 way normally closed poppet style, proportional flow control valve.

**OPERATION**

When de-energized the EB-P2A blocks flow from (1) to (2) and allows reverse flow from (2) to (1). When energized, the valve allows flow from (1) to (2). Flow is proportional to current applied to the coil. A compensator must be used to create a pressure compensated flow control function.

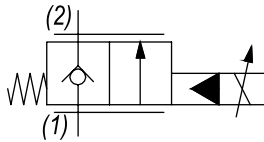
**FEATURES**

- Efficient wet-armature construction.
- Cartridges are voltage interchangeable.
- Industry common cavity.
- Unitized, molded coil design.
- Continuous duty rated solenoid.
- Optional coil voltages and terminations.



Curves are attained without pressure compensator. The valve can work with a pressure drop up to 200 bar.

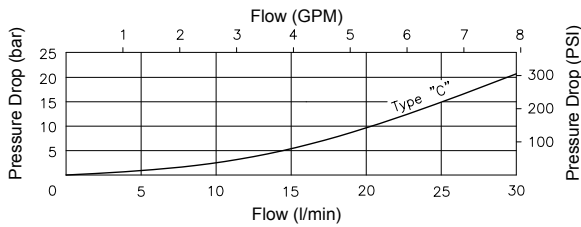
**HYDRAULIC SYMBOL**



**PERFORMANCE**

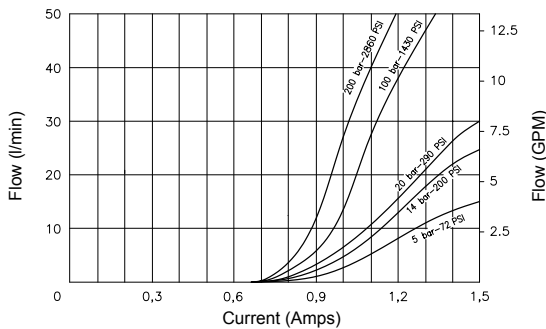
**Pressure Drop**

1 to 2 with valve completely open



**Flow vs. Current at different Pressure Drop**

Coil 12 VDC - hyd. - Oil 26 cSt (121 SSU) @ 40°C (104°F)



**VALVE SPECIFICATIONS**

Flow Range	See curves
Max System Pressure	3500 PSI (241 bar)
Leakage	0-10 drops / min @ 245 bar
Hysteresis	±3%
Viscosity Range	36 to 3000 SSU (3 to 647 cSt)
Filtration	ISO 18/16/13
Media Operating Temp. Range	-40°C to 250°F (-40°C to 120°C)
Weight	.72 lbs (.32 kg)
Operating Fluid Media	General Purpose Hydraulic Fluid
Cartridge Torque Requirements	37 ft-lbs (50 Nm)
Coil Nut Torque Requirements	2-3 ft-lbs (3-4 Nm)
Cavity	POWER 2W
Cavity Tools Kit (form tool, reamer, tap)	40500005
Seal Kit	21191102

**COIL SPECIFICATIONS**

Current Supply Characteristics	PWM (Pulse Width Modulation)
Rated Current Range	500 - 1450 mA
PWM or Super-Imposed	
Dither Frequency	100 Hz
Coil Resistance (12 VDC)	7.5 Ohm ±5% at 68°F (20°C)

**WARNING:** the specifications/application data shown in our catalogs and data sheets are intended only as a general guide for the product described (herein). Any specific application should not be undertaken without independent study, evaluation, and testing for suitability.

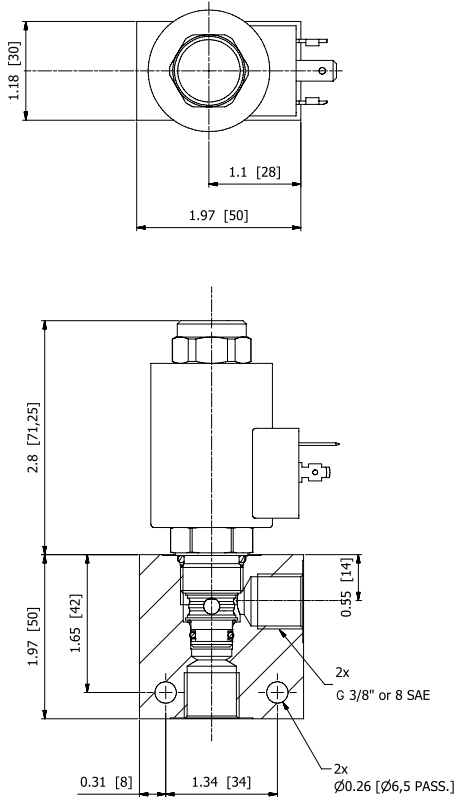
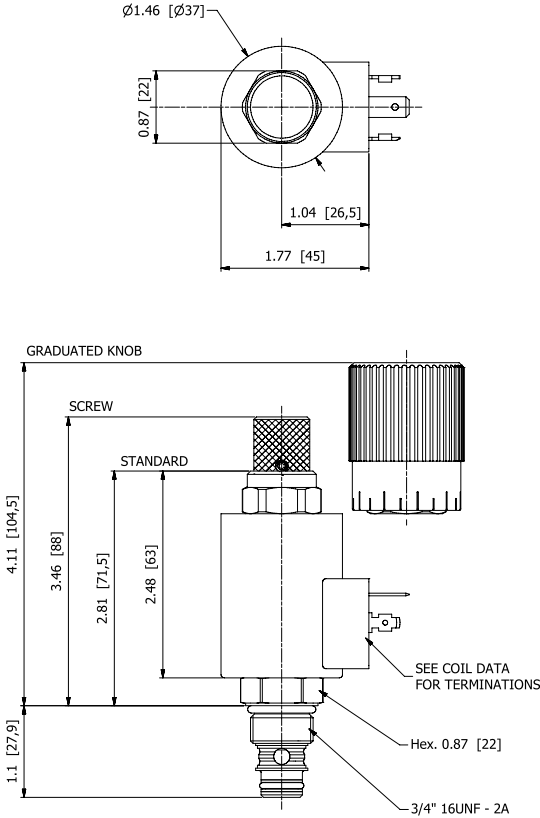


4484 Boeing Drive Rockford, IL 61109 • USA • Phone +1 (815) 397-6628 • Fax +1 (815) 397-2526  
 mail: delta@delta-power.com • www.delta-power.com



Via Malavolti, 36 • 41122 Modena • ITALY • Phone +39 (059) 254895 • Fax +39 (059) 253512  
 mail: tecnord@tecnord.com • www.tecnord.com

**DIMENSIONS**



(for bodies style and sizes see section "Accessories")

**ORDERING INFORMATION**

Approximate Coil Weight: .47 lbs (.21 kg)

**EB-P2A** - - - -

- OPTIONS**  
 Buna Standard **C0** Up to 25 l/min  
 Buna, Screw Type Override (Knob) **CS** Up to 25 l/min  
 Buna, Screw Type Override (Grad. Knob) **CK** Up to 25 l/min

- BODIES**  
**Blank** Without Body  
**S** #8 SAE Ports

- VOLTAGE**  
**12** 12 VDC  
**24** 24 VDC

**"F" COIL TERMINATION**

- HC** DIN 43650 (Hirschmann)  
**DI** Deutsch-Integral DT04-2P  
**JT** AMP Jr. Timer

**NOTES:** 1) Flows refer to a 14 bar Delta P  
 2) For other seals, consult factory

W6 / 2020

**WARNING:** the specifications/application data shown in our catalogs and data sheets are intended only as a general guide for the product described (herein). Any specific application should not be undertaken without independent study, evaluation, and testing for suitability.



4484 Boeing Drive Rockford, IL 61109 • USA • Phone +1 (815) 397-6628 • Fax +1 (815) 397-2526  
 mail: delta@delta-power.com • www.delta-power.com



Via Malavolti, 36 • 41122 Modena • ITALY • Phone +39 (059) 254895 • Fax +39 (059) 253512  
 mail: tecnord@tecnord.com • www.tecnord.com