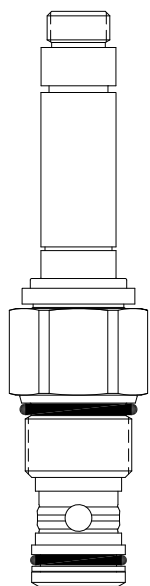


**HT-S2B PILOT OPERATED POPPET, 2 WAY NORMALLY CLOSED**



1

2

**DESCRIPTION**

“High pressure” 12 size, 1 1/16-12 thread, “Tecnorm” series, solenoid operated, 2 way normally closed, pilot operated poppet valve with reverse flow energized and de-energized.

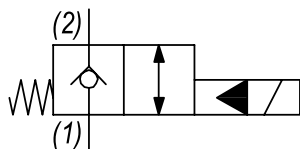
**OPERATION**

When de-energized the HT-S2B blocks flow from (1) to (2) and allows reverse flow from (2) to (1). When energized the valve allows flow from (1) to (2) and from (2) to (1).

**FEATURES**

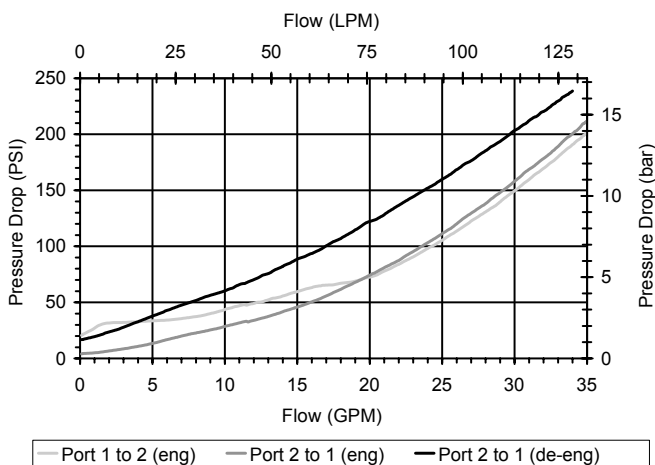
- Hardened parts for long life.
- Efficient wet-armature construction.
- Cartridges are voltage interchangeable.
- Industry common cavity.
- Unitized, molded coil design.
- Continuous duty rated solenoid.
- Optional coil voltages and terminations.

**HYDRAULIC SYMBOL**



**PERFORMANCE**

Actual Test Data (Cartridge Only)



**VALVE SPECIFICATIONS**

Nominal Flow	25 GPM (95 LPM)
Rated Operating Pressure	5000 PSI (345 bar)
Typical Internal Leakage (150 SSU)	0-8 drops/min
Viscosity Range	36 to 3000 SSU (3 to 647 cSt)
Filtration	ISO 18/16/13
Media Operating Temp. Range	-40° to 250°F (-40° to 120°C)
Weight	.94 lbs (.43 kg)
Operating Fluid Media	General Purpose Hydraulic Fluid
Cartridge Torque Requirements	70 ft-lbs (94.9 Nm)
Coil Nut Torque Requirements	5-7 ft-lbs (6.8-9.5 Nm)
Cavity	TECNORD 2W
Cavity Tools Kit	
(form tool, reamer, tap)	40500032
Seal Kit	21191301

**WARNING:** the specifications/application data shown in our catalogs and data sheets are intended only as a general guide for the product described (herein). Any specific application should not be undertaken without independent study, evaluation, and testing for suitability.



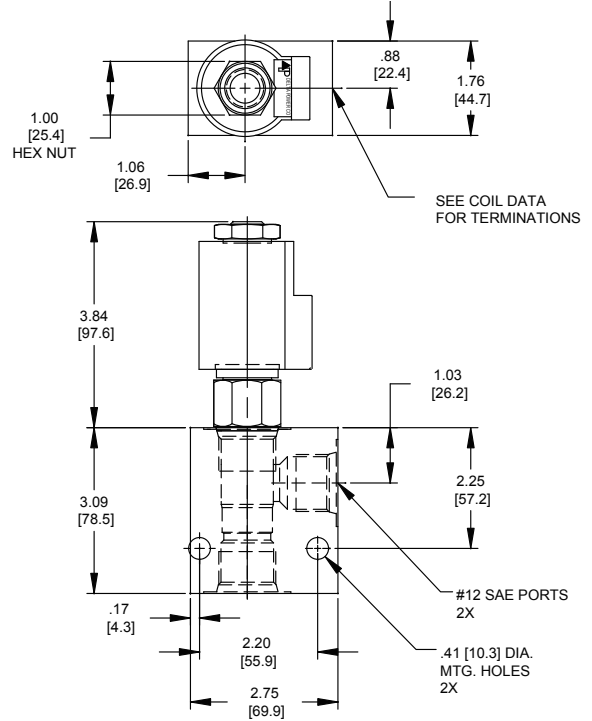
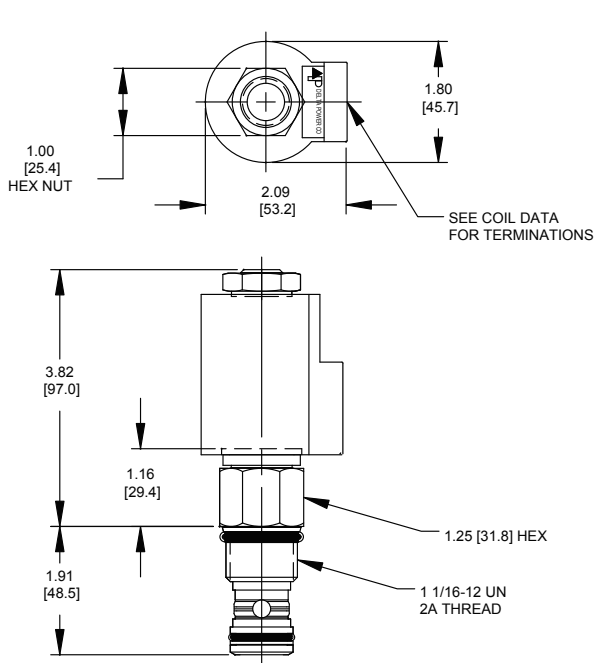
4484 Boeing Drive Rockford, IL 61109 • USA • Phone +1 (815) 397-6628 • Fax +1 (815) 397-2526  
 mail: delta@delta-power.com • www.delta-power.com



Via Malavolti, 36 • 41122 Modena • ITALY • Phone +39 (059) 254895 • Fax +39 (059) 253512  
 mail: tecnord@tecnord.com • www.tecnord.com

# SOLENOID OPERATED DIRECTIONAL CONTROLS

## DIMENSIONS



BODY WEIGHT: 3.71 lbs (1.68 kg)

## ORDERING INFORMATION

Approximate Coil Weight: .89 lbs (.41 kg)

### HT-S2B

#### OPTIONS

Buna Standard **00**  
 Viton Standard **V0**  
 Buna, Screen **A0**  
 Viton, Screen **W0**

**Note: use screen only if flow direction is from (1) to (2)**

#### "T" COIL TERMINATION

(All DC Except as Noted)

Double Lead **DL**  
 Deutsch on Leads **DT**  
 Metri-Pack on Leads **ML**  
 Packard on Leads **PL**  
 Weatherpack on Leads **WL**  
 Double Spade **DS**  
 DIN 43650 (Hirschmann) - (AC&DC) **HC**

#### BODIES

**Blank** Without Body  
**S** #12 SAE Ports

#### VOLTAGE

**06** 6 VDC  
**12** 12 VDC  
**24** 24 VDC  
**36** 36 VDC  
**48** 48 VDC  
**25** 24 VAC  
**11** 120 VAC  
**22** 220 VAC

W 26 / 2019

**WARNING:** the specifications/application data shown in our catalogs and data sheets are intended only as a general guide for the product described (herein). Any specific application should not be undertaken without independent study, evaluation, and testing for suitability.



4484 Boeing Drive Rockford, IL 61109 • USA • Phone +1 (815) 397-6628 • Fax +1 (815) 397-2526  
 mail: delta@delta-power.com • www.delta-power.com



Via Malavolti, 36 • 41122 Modena • ITALY • Phone +39 (059) 254895 • Fax +39 (059) 253512  
 mail: tecnord@tecnord.com • www.tecnord.com