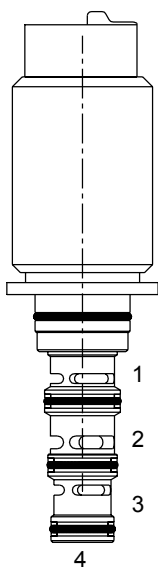


IG-S4A-58-MP12-A DIRECT ACTING SPOOL, 4 WAY 2 POSITION, TRANSMISSION VALVE, SLIP-IN STYLE



DESCRIPTION

Special cavity, solenoid operated, 4 way 2 position spool type, flanged retained hydraulic valve.

OPERATION

When de-energized the IG-S4A-58-MP12-A allows flow from (2) to (3) and from (1) to (4).

When energized the valve allows flow from (2) to (1) and from (3) to (4).

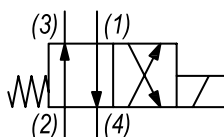
FEATURES

- Economical slip-in style.
- Efficient wet-armature construction.
- Unitized valve/coil.
- Continuous duty rated solenoid.



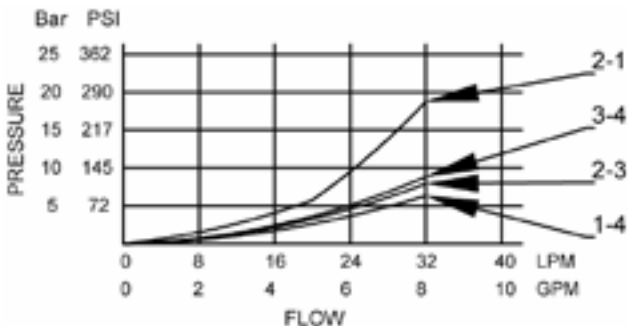
Consult Factory for Valve retention options.
Flanged Retained Product.

HYDRAULIC SYMBOL



PERFORMANCE

Actual Test Data (Cartridge Only)



VALVE SPECIFICATIONS

Nominal Flow	5 GPM (19 LPM)
Max Operating Pressure	1000 PSI (70 bar)
Typical Internal Leakage (150 SSU)	3 cu in/min (50 ml/min)
Viscosity Range	36 to 3000 SSU (3 to 647 cSt)
Filtration	ISO 18/16/13
Media Operating Temp. Range	-35° to 200°F (-37.2° to 93.3°C)
Weight	.75 lbs (.34 kg)
Operating Fluid Media	General Purpose Hydraulic Fluid
Cavity	T058 (Special)
Cavity Tools Kit	K-T058
Flange PN	13.1501.032/A
Flange mounting screws and torque	M6x10 / 4 ft-lbs (6 Nm)

COIL SPECIFICATIONS

Nominal Operating Voltage	12 VDC ±5%
Pull-in Voltage	8.5 VDC at 212°F (100°C)
Peak Voltage	25 VDC for 5 min at 50°F (10°C)
Temperature Range	-40°F to 230°F (-40°C) to (110°C)
Coil Resistance	7.3 Ohm ±5% at 68°F (20°C)
Coil Termination	AMP Superseal - Integral
Protection Degree	IP 67

WARNING: the specifications/application data shown in our catalogs and data sheets are intended only as a general guide for the product described (herein). Any specific application should not be undertaken without independent study, evaluation, and testing for suitability.

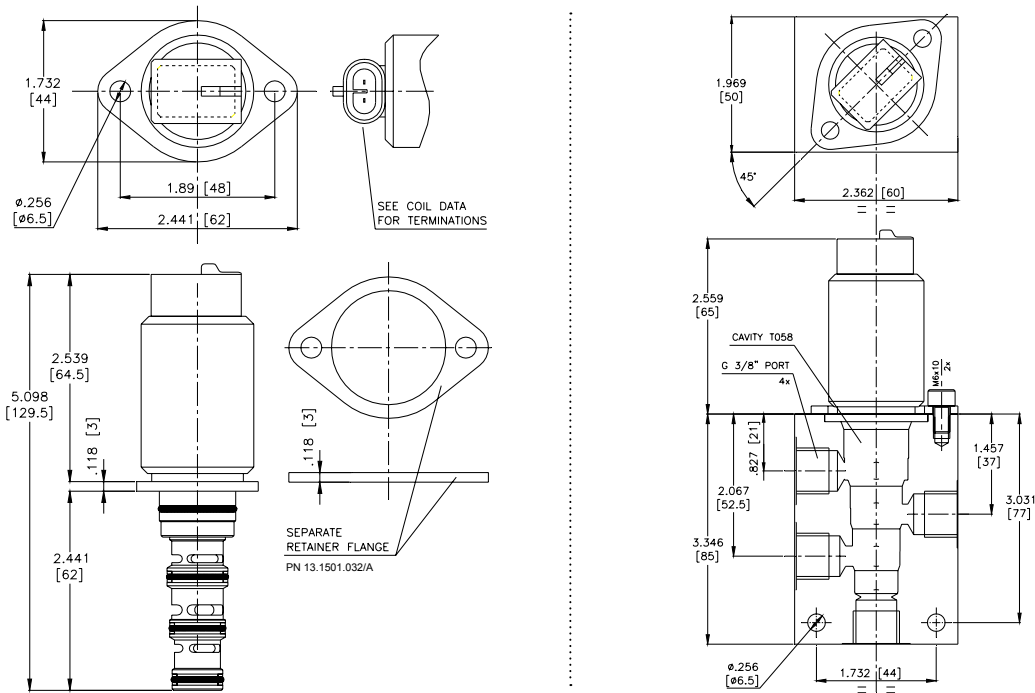


4484 Boeing Drive Rockford, IL 61109 • USA • Phone +1 (815) 397-6628 • Fax +1 (815) 397-2526
mail: delta@delta-power.com • www.delta-power.com



Via Malavolti, 36 • 41122 Modena • ITALY • Phone +39 (059) 254895 • Fax +39 (059) 253512
mail: tecnord@tecnord.com • www.tecnord.com

DIMENSIONS



ORDERING INFORMATION

IG-S4A-58-MP12-A -

- BODIES**
- Blank Without Body
 - N 3/8" BSP Ports
 - S #8 SAE Ports

W 26/2019

WARNING: the specifications/application data shown in our catalogs and data sheets are intended only as a general guide for the product described (herein). Any specific application should not be undertaken without independent study, evaluation, and testing for suitability.



4484 Boeing Drive Rockford, IL 61109 • USA • Phone +1 (815) 397-6628 • Fax +1 (815) 397-2526
 mail: delta@delta-power.com • www.delta-power.com



Via Malavolti, 36 • 41122 Modena • ITALY • Phone +39 (059) 254895 • Fax +39 (059) 253512
 mail: tecnord@tecnord.com • www.tecnord.com