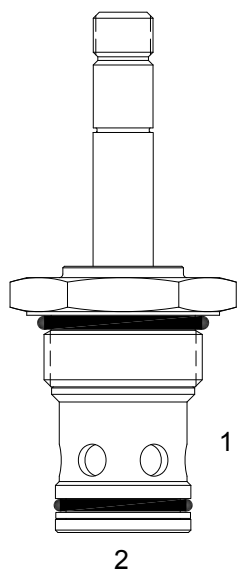


## SJ-S2B PILOT OPERATED POPPET, 2 WAY NORMALLY CLOSED



### DESCRIPTION

16 size, 1 5/16-12 thread, "Super" series, solenoid operated, 2 way normally closed, pilot operated poppet valve with reverse flow energized and de-energized.

### OPERATION

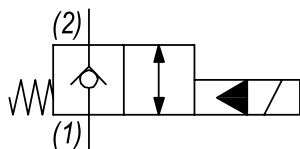
When de-energized the SJ-S2B blocks flow from (1) to (2) and allows reverse flow from (2) to (1). When energized the valve allows flow from (1) to (2) and from (2) to (1).

**OPERATION OF MANUAL OVERRIDE OPTION:** to override, pull knob out. On the detented version, after pulling knob out twist 180 degrees and release. The valve will remain in that position.

### FEATURES

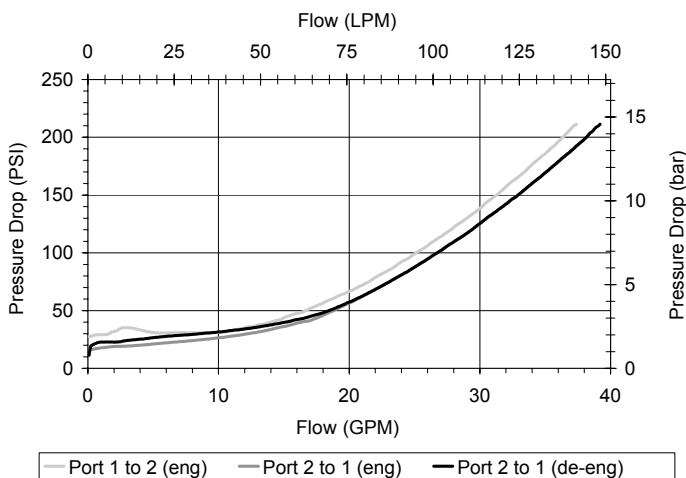
- Hardened parts for long life.
- Efficient wet-armature construction.
- Cartridges are voltage interchangeable.
- Manual override option.
- Industry common cavity.
- Unitized, molded coil design.
- Continuous duty rated solenoid.
- Optional coil voltages and terminations.
- Optional "I" Coil: Weatherproof, Thermal Shock, Immersion Safe.

### HYDRAULIC SYMBOL



### PERFORMANCE

Actual Test Data (Cartridge Only)



### VALVE SPECIFICATIONS

Nominal Flow	30 GPM (114 LPM)
Rated Operating Pressure	3500 PSI (241 bar)
Typical Internal Leakage (150 SSU)	0-10 drops/min
Viscosity Range	36 to 3000 SSU (3 to 647 cSt)
Filtration	ISO 18/16/13
Media Operating Temp. Range	-40° to 250°F (-40° to 120°C)
Weight	.72 lbs (.32 kg)
Operating Fluid Media	General Purpose Hydraulic Fluid
Cartridge Torque Requirements	90 ft-lbs (122 Nm)
Coil Nut Torque Requirements	4-6 ft-lbs (5.4-8.1 Nm)
Cavity	SUPER 2W
Cavity Tools Kit	
(form tool, reamer, tap)	40500017
Seal Kit	21191401

**WARNING:** the specifications/application data shown in our catalogs and data sheets are intended only as a general guide for the product described (herein). Any specific application should not be undertaken without independent study, evaluation, and testing for suitability.



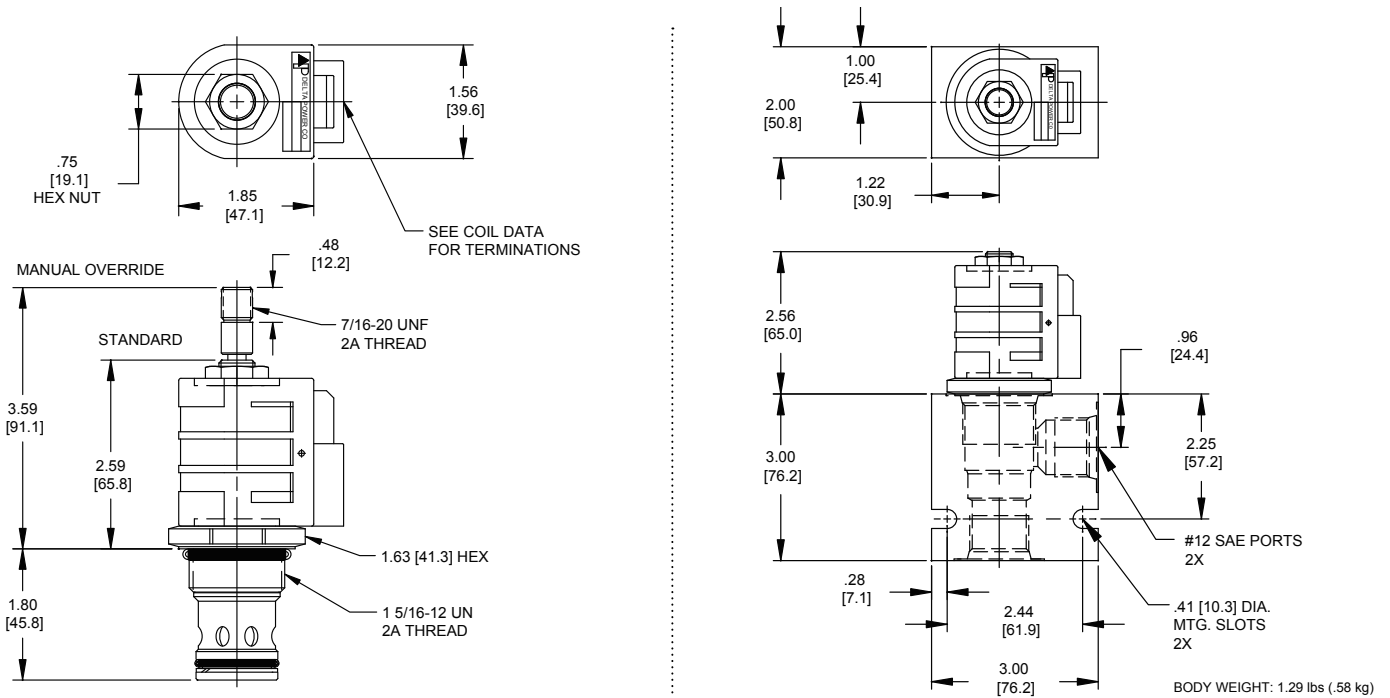
4484 Boeing Drive Rockford, IL 61109 • USA • Phone +1 (815) 397-6628 • Fax +1 (815) 397-2526  
mail: delta@delta-power.com • www.delta-power.com



Via Malavolti, 36 • 41122 Modena • ITALY • Phone +39 (059) 254895 • Fax +39 (059) 253512  
mail: tecnord@tecnord.com • www.tecnord.com

# SOLENOID OPERATED DIRECTIONAL CONTROLS

## DIMENSIONS



## ORDERING INFORMATION

Approximate Coil Weight: .74 lbs (.33 kg)

### SJ-S2B

<b>OPTIONS</b>	
Buna Standard	<b>00</b>
Viton Standard	<b>V0</b>
Buna, Override, Detent	<b>0M</b>
Viton, Override, Detent	<b>VM</b>
Buna, Screen	<b>A0</b>
Viton, Screen	<b>W0</b>
Buna, Override, Non-Detent	<b>B1</b>
Viton, Override, Non-Detent	<b>V1</b>
Buna, Screen, Override, Non-Detent	<b>B3</b>
Viton, Screen, Override, Non-Detent	<b>V3</b>
Buna, Screen, Override, Detent	<b>B4</b>
Viton, Screen, Override, Detent	<b>V4</b>

**Note: use screen only if flow direction is from (1) to (2)**

### **"D" COIL TERMINATION** (All DC Except as Noted)

<b>DL</b> Double Lead
<b>DT</b> Deutsch on Leads DT04-2P
<b>ML</b> Metri-Pack on Leads
<b>PL</b> Packard on Leads
<b>WL</b> Weatherpack on Leads

<b>SS</b> Single Spade
<b>DS</b> Double Spade
<b>HC</b> DIN 43650 (Hirschmann) - (AC&DC)
<b>CL</b> Conduit Lead - (AC Only)
<b>DI</b> Deutsch - Integral DT04-2P

<b>BODIES</b>	
<b>Blank</b> Without Body	
<b>N</b> 3/4 NPT Ports	
<b>S</b> #12 SAE Ports	

<b>VOLTAGE</b>	
<b>06</b> 6 VDC	
<b>12</b> 12 VDC	
<b>24</b> 24 VDC	
<b>36</b> 36 VDC	
<b>48</b> 48 VDC	
<b>25</b> 24 VAC	
<b>11</b> 120 VAC	
<b>22</b> 220 VAC	
<b>44</b> 440 VAC	

<b>IMMERSION PROOF "D" TYPE</b>	
<b>IA</b> "I" Coil AMP Superseal - Integral	
<b>ID</b> "I" Coil Deutsch - Integral DT04-2P	
<b>IJ</b> "I" Coil AMP Jr. Timer - Integral	
<b>IM</b> "I" Coil Metri-Pack - Integral	

W 26 / 2019

**WARNING:** the specifications/application data shown in our catalogs and data sheets are intended only as a general guide for the product described (herein). Any specific application should not be undertaken without independent study, evaluation, and testing for suitability.



4484 Boeing Drive Rockford, IL 61109 • USA • Phone +1 (815) 397-6628 • Fax +1 (815) 397-2526  
mail: delta@delta-power.com • www.delta-power.com

## TECNORD

Via Malavolti, 36 • 41122 Modena • ITALY • Phone +39 (059) 254895 • Fax +39 (059) 253512  
mail: tecnord@tecnord.com • www.tecnord.com