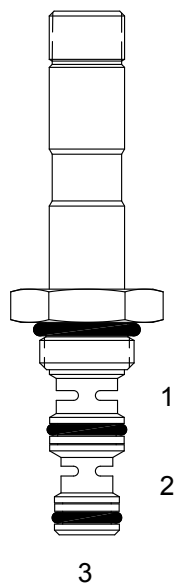


**UC-S3A DIRECT ACTING SPOOL, 3 WAY 2 POSITION**



**DESCRIPTION**

7 size, 5/8-18 thread, "Mini" series, solenoid operated, 3 way 2 position, spool valve.

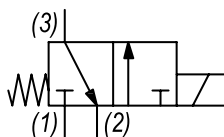
**OPERATION**

When de-energized the UC-S3A blocks flow at (1) and allows flow from (3) to (2). When energized, the valve allows flow from (1) to (3) and blocks flow at (2).

**FEATURES**

- Hardened parts for long life.
- Efficient wet-armature construction.
- Cartridges are voltage interchangeable.
- Industry common cavity.
- Unitized, molded coil design.
- Continuous duty rated solenoid.
- Optional coil voltages and terminations.

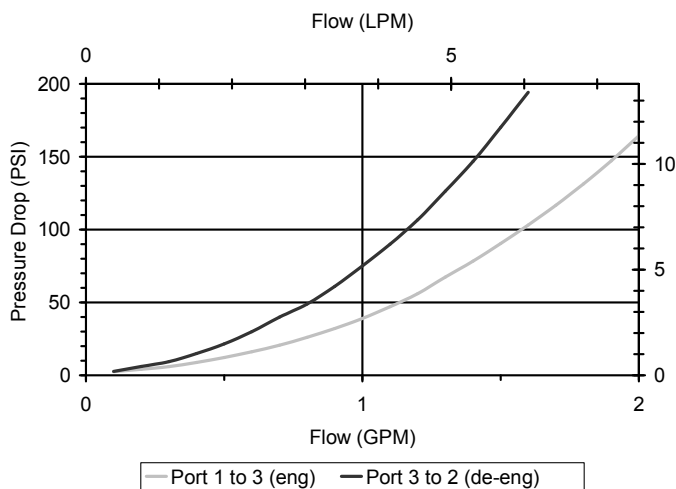
**HYDRAULIC SYMBOL**



Uses "P" or "PI" type coils

**PERFORMANCE**

Actual Test Data (Cartridge Only)



**VALVE SPECIFICATIONS**

Nominal Flow	1 GPM (4 LPM) from (1) to (3) 2 GPM (7.6 LPM) from (3) to (2)
Rated Operating Pressure	3500 PSI (241 bar)
Typical Internal Leakage (150 SSU)	8 cu in/min (131 ml/min)
Viscosity Range	36 to 3000 SSU (3 to 647 cSt)
Filtration	ISO 18/16/13
Media Operating Temp. Range	-40° to 250°F (-40° to 120°C)
Weight	.14 lbs (.06 kg)
Operating Fluid Media	General Purpose Hydraulic Fluid
Cartridge Torque Requirements	15 ft-lbs (20.3 Nm)
Coil Nut Torque Requirements	4-6 ft-lbs (5.4-8.1 Nm)
Cavity	MINI 3W
Cavity Form Tool (Finishing)	40500004
Seal Kit	21191004

**WARNING:** the specifications/application data shown in our catalogs and data sheets are intended only as a general guide for the product described (herein). Any specific application should not be undertaken without independent study, evaluation, and testing for suitability.



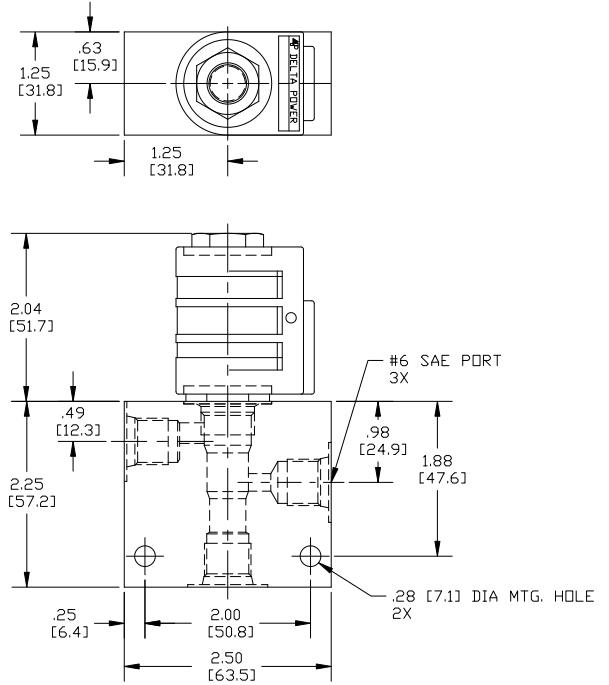
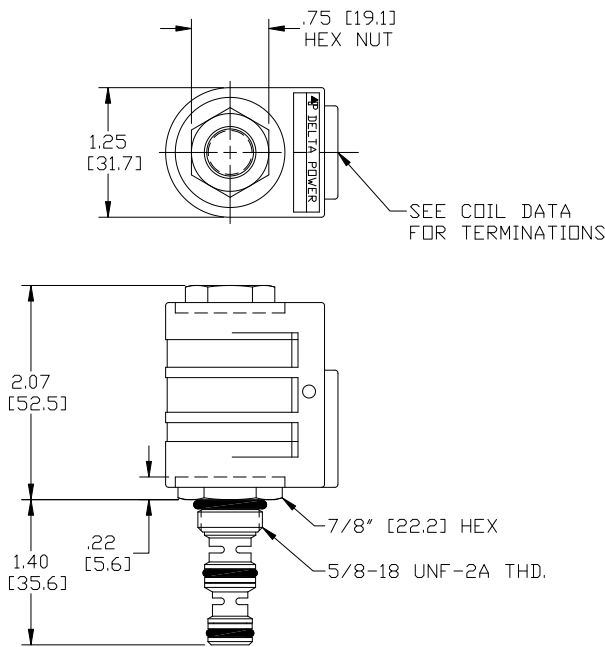
4484 Boeing Drive Rockford, IL 61109 • USA • Phone +1 (815) 397-6628 • Fax +1 (815) 397-2526  
mail: delta@delta-power.com • www.delta-power.com



Via Malavolti, 36 • 41122 Modena • ITALY • Phone +39 (059) 254895 • Fax +39 (059) 253512  
mail: tecnord@tecnord.com • www.tecnord.com

# SOLENOID OPERATED DIRECTIONAL CONTROLS

## DIMENSIONS



BODY WEIGHT: .59 lbs. [.26 kg]

## ORDERING INFORMATION

UC-S3A - - - -

Approximate Coil Weight: .30 lbs (.14 kg)

**OPTIONS**  
 Buna Standard **00**  
 Viton Standard **V0**

**BODIES**  
 Blank Without Body  
**N** 1/4 NPTF Ports  
**S** #6 SAE Ports

**Note: Aluminum, NOT durability rated for 4000 PSI. Consult factory for body options.**

**VOLTAGE**

**06** 6 VDC  
**12** 12 VDC  
**24** 24 VDC  
**36** 36 VDC  
**48** 48 VDC  
**25** 24 VAC  
**11** 120 VAC  
**22** 220 VAC  
**44** 440 VAC

**"P" COIL TERMINATION**  
 (All DC Except as Noted)

**DL** Double Lead  
**DT** Deutsch on Leads DT04-2P  
**ML** Metri-Pack on Leads  
**PL** Packard on Leads  
**WL** Weatherpack on Leads

**SS** Single Spade  
**DS** Double Spade  
**HC** DIN 43650 (Hirschmann) - (AC&DC)  
**CL** Conduit Lead - (AC Only)  
**DI** Deutsch - Integral DT04-2P

**IMMERSION PROOF "P" TYPE**  
**IA** "I" Coil AMP Superseal - Integral  
**ID** "I" Coil Deutsch - Integral DT04-2P  
**IJ** "I" Coil AMP Jr. Timer - Integral  
**IM** "I" Coil Metri-Pack - Integral

W 26 / 2019

**WARNING:** the specifications/application data shown in our catalogs and data sheets are intended only as a general guide for the product described (herein). Any specific application should not be undertaken without independent study, evaluation, and testing for suitability.



4484 Boeing Drive Rockford, IL 61109 • USA • Phone +1 (815) 397-6628 • Fax +1 (815) 397-2526  
 mail: delta@delta-power.com • www.delta-power.com



Via Malavolti, 36 • 41122 Modena • ITALY • Phone +39 (059) 254895 • Fax +39 (059) 253512  
 mail: tecnord@tecnord.com • www.tecnord.com