

IL - IC GRIPS

IL - CYLINDRICAL KNOB

MECHANICAL SPECIFICATIONS

Body material:	Thermoplastic elastomer
Colour:	black
Operating temperature range:	-20°C / +60°C
Connecting hub:	female thread / M14 x 1.5

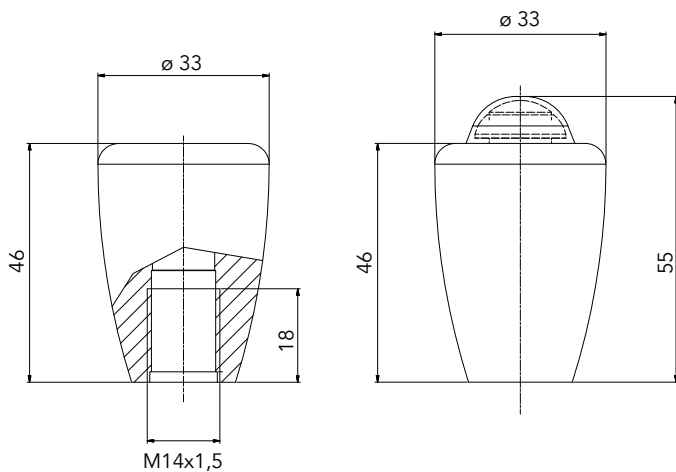
ELECTRICAL SPECIFICATIONS

Prewired exit cable:	250 mm
Insulating cable material:	PVC

TOP PUSH BUTTON

Rated amperage:	3 A inductive
Life:	> 100.000 cycles
Protection class:	IP 64

OVERALL DIMENSIONS



IL-0000
No push button

IL-0100
Top push button
(No circuit)

IC - CYLINDRICAL GRIP

MECHANICAL SPECIFICATIONS

Body material:	nylon
Bottom rubber material:	neoprene
Colour:	black
Operating temperature range:	-20°C / +60°C
Connecting hub:	female thread / M14 x 1.5

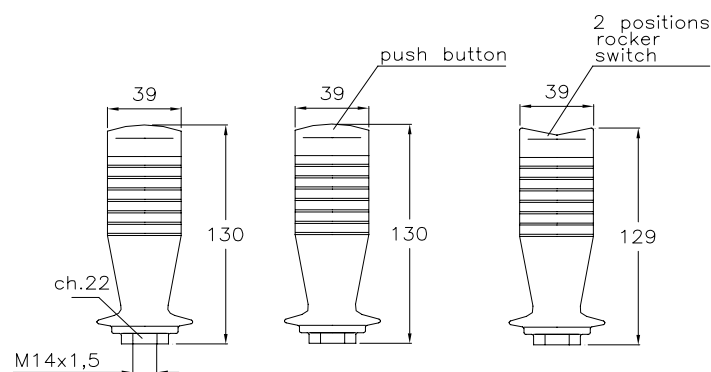
ELECTRICAL SPECIFICATIONS

Prewired exit cable:	250 mm
Insulating cable material:	PVC

PUSH BUTTON AND ROCKER SWITCH

Contacts:	silver plated
Rated amperage:	16 A / 250 vac 3 A / 24 VDC
Electrical life:	> 100.000 cycles
Mechanical life:	> 3.000.000 cycles
Protection class:	IP 54

OVERALL DIMENSIONS



IC-0000
No push button

IC-0100
Top push button
(No circuit)

IC-0200
Top rocker switch

IL - IC ORDERING INFORMATION: see page JK39

W/11 / 2020

WARNING: the specifications/application data shown in our catalogs and data sheets are intended only as a general guide for the product described (herein). Any specific application should not be undertaken without independent study, evaluation, and testing for suitability.



4484 Boeing Drive Rockford, IL 61109 • USA • Phone +1 (815) 397-6628 • Fax +1 (815) 397-2526
mail: delta@delta-power.com • www.delta-power.com



Via Malavolti, 36 • 41122 Modena • ITALY • Phone +39 (059) 254895 • Fax +39 (059) 253512
mail: tecnord@tecnord.com • www.tecnord.com