

MG MULTI-FUNCTION ERGONOMIC RIGHT HAND GRIP

FEATURES

- Optimum ergonomic design.
- High performance switches.

MECHANICAL SPECIFICATIONS

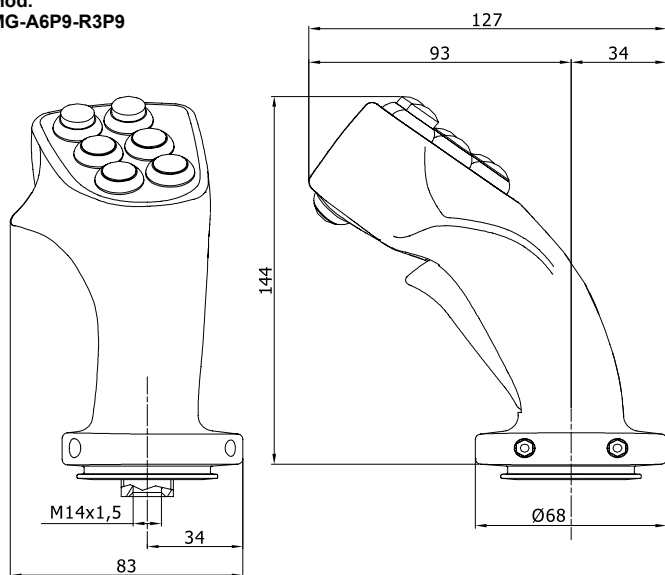
Material:	thermoplastic
Colour:	black
Operating temperature range:	-25°C / +85°C
Protection class:	IP 65 with plain grip (IP 67 with special assembly on request) IP 54 with dead man trigger option
Connecting hub:	female thread / M14 x 1.5

ELECTRICAL SPECIFICATIONS

Prewired exit cable:	250 mm
Available push buttons and switches	
A - Dead man push button	
Rated amperage:	up to 3 A inductive
Protection class (microswitch):	IP 67
DFF - Rocker Switch:	see page JK60 Technical Info
K1 - Rocker Switch:	see page JK60 Technical Info
P9 - P9L - Push buttons:	see page JK61 Technical Info
FPR - Proportional roller:	see FPR data sheet
Output signal:	3-pins connection hall effect contactless sensor

OVERALL DIMENSIONS

Mod.
MG-A6P9-R3P9



CONFIGURATION EXAMPLES

	D-man P/B	Front P/B	Rear P/B
MG/0000/0000	0	0	
MG/A000/0000/0000	yes	0	
MG/A1P9/0000/0000	yes	1xP9	
MG/A2P9/0000/0000	yes	2xP9	
MG/A3P9/0000/0000	yes	3xP9	
MG/A4P9/0000/0000	yes	4xP9	
MG/A5P9/0000/0000	yes	5xP9	
MG/A6P9/0000/0000	yes	6xP9	
MG/A6P9/0000/R1P9	yes	6xP9	1xP9
MG/A6P9/0000/R2P9	yes	6xP9	2xP9
MG/A6P9/0000/R3P9	yes	6xP9	3xP9

MG ORDERING INFORMATION: see page JK42

WARNING: the specifications/application data shown in our catalogs and data sheets are intended only as a general guide for the product described (herein). Any specific application should not be undertaken without independent study, evaluation, and testing for suitability.



4484 Boeing Drive Rockford, IL 61109 • USA • Phone +1 (815) 397-6628 • Fax +1 (815) 397-2526
mail: delta@delta-power.com • www.delta-power.com



Via Malavolti, 36 • 41122 Modena • ITALY • Phone +39 (059) 254895 • Fax +39 (059) 253512
mail: tecnord@tecnord.com • www.tecnord.com

MG MULTI-FUNCTION ERGONOMIC RIGHT HAND GRIP

FEATURES

- Optimum ergonomic design.
- High performance switches.

MECHANICAL SPECIFICATIONS

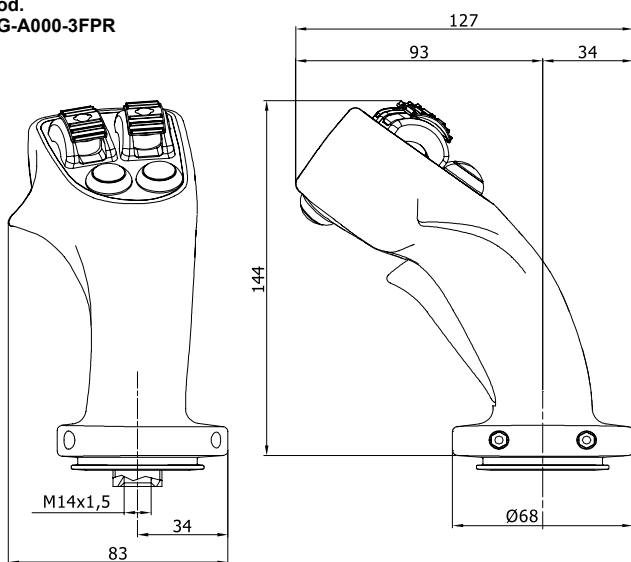
Material:	thermoplastic
Colour:	black
Operating temperature range:	-25°C / +85°C
Protection class:	IP 65 with plain grip (IP 67 with special assembly on request) IP 54 with dead man trigger option
Connecting hub:	female thread / M14 x 1.5

ELECTRICAL SPECIFICATIONS

Prewired exit cable:	250 mm
Available push buttons and switches	
A - Dead man push button	
Rated amperage:	up to 3 A inductive
Protection class (microswitch):	IP 67
DFF - Rocker Switch:	see page JK60 Technical Info
K1 - Rocker Switch:	see page JK60 Technical Info
P9 - P9L - Push buttons:	see page JK61 Technical Info
FPR - Proportional roller:	see FPR data sheet
Output signal:	3-pins connection hall effect contactless sensor

OVERALL DIMENSIONS

Mod.
MG-A000-3FPR



CONFIGURATION EXAMPLES

	D-man P/B	Front P/B	Front FPR	Rear P/B	Rear FPR
MG/01P9/1FPR/0000	0	1xP9	1xFPR		
MG/A2P9/1FPR/0000	yes	2xP9	1xFPR		
MG/A3P9/1FPR/R1P9	yes	3xP9	1xFPR	1xP9	
MG/A4P9/1FPR/R2P9	yes	4xP9	1xFPR	2xP9	
MG/A2P9/2FPR/0000	yes	2xP9	2xFPR	0	
MG/A2P9/2FPR/R1P9	yes	2xP9	2xFPR	1xP9	
MG/A2P9/2FPR/R2P9	yes	2xP9	2xFPR	2xP9	
MG/A000/3FPR/0000	yes	0	3xFPR	0	
MG/A000/3FPR/R1P9	yes	0	3xFPR	1xP9	
MG/A000/3FPR/R2P9	yes	0	3xFPR	2xP9	

W 25 / 2020

WARNING: the specifications/application data shown in our catalogs and data sheets are intended only as a general guide for the product described (herein). Any specific application should not be undertaken without independent study, evaluation, and testing for suitability.



4484 Boeing Drive Rockford, IL 61109 • USA • Phone +1 (815) 397-6628 • Fax +1 (815) 397-2526
mail: delta@delta-power.com • www.delta-power.com



Via Malavolti, 36 • 41122 Modena • ITALY • Phone +39 (059) 254895 • Fax +39 (059) 253512
mail: tecnord@tecnord.com • www.tecnord.com

MG MULTI-FUNCTION ERGONOMIC RIGHT HAND GRIP

FEATURES

- Optimum ergonomic design.
- Internal PWM driver.

MECHANICAL SPECIFICATIONS

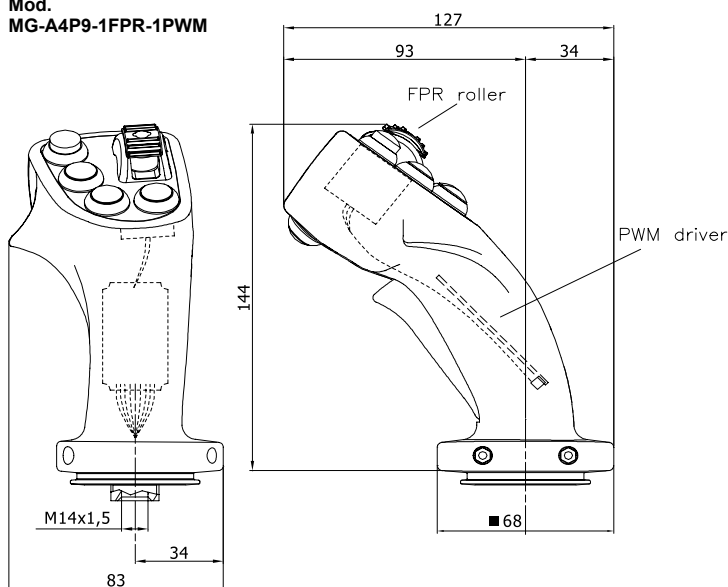
Material:	thermoplastic
Colour:	black
Operating temperature range:	-25°C / +85°C
Protection class:	IP 65 with plain grip (IP 67 with special assembly on request) IP 54 with dead man trigger option
Connecting hub:	female thread / M14 x 1.5

ELECTRICAL SPECIFICATIONS

Prewired exit cable:	250 mm
Available push buttons and switches	
A - Dead man push button	
Rated amperage:	up to 3 A inductive
Protection class (microswitch):	IP 67
DFE - Rocker Switch:	see page JK60 Technical Info
K1 - Rocker Switch:	see page JK60 Technical Info
P9 - P9L - Push buttons:	see page JK61 Technical Info
FPR - Proportional roller:	see FPR data sheet
Output signal:	3-pins connection hall effect contactless sensor

OVERALL DIMENSIONS

Mod.
MG-A4P9-1FPR-1PWM



PWM - Pulse width modulated output current driver for a dual coil proportional valve

Supply voltage:	8-32 Volt
Max. current draw:	100 mA
Current output range:	factory set btw 0 and 1500 mA
PWM dither frequency:	100 Hz
Operating temperature range:	-25°C / +85°C

CONFIGURATION EXAMPLES

	D-man P/B	Front P/B	Front FPR	PWM	Rear P/B
MG/01P9/1FPR/1PWM	0	1xP9	1xFPR	1xPWM	
MG/A2P9/1FPR/1PWM	yes	2xP9	1xFPR	1xPWM	
MG/A3P9/1FPR/1PWM	yes	3xP9	1xFPR	1xPWM	
MG/A4P9/1FPR/1PWM	yes	4xP9	1xFPR	1xPWM	
MG/A4P9/1FPR/1PWM/R1P9	yes	4xP9	1xFPR	1xPWM	1xP9
MG/A4P9/1FPR/1PWM/R2P9	yes	4xP9	1xFPR	1xPWM	2xP9

WARNING: the specifications/application data shown in our catalogs and data sheets are intended only as a general guide for the product described (herein). Any specific application should not be undertaken without independent study, evaluation, and testing for suitability.



4484 Boeing Drive Rockford, IL 61109 • USA • Phone +1 (815) 397-6628 • Fax +1 (815) 397-2526
mail: delta@delta-power.com • www.delta-power.com



Via Malavolti, 36 • 41122 Modena • ITALY • Phone +39 (059) 254895 • Fax +39 (059) 253512
mail: tecnord@tecnord.com • www.tecnord.com