

**FTC-L2S FINGERTIP PROPORTIONAL CONTROL LEVER**

**FEATURES**

- Single axis / bidirectional.
- 3-pins rotary potentiometer.
- Optional center / power-off or bidirectional switches.

**MECHANICAL SPECIFICATIONS**

Lever deflection angle:	$\pm 25^\circ \pm 1^\circ$
Electrical angle:	$\pm 25^\circ \pm 1^\circ$
Operating temperature range:	$-25^\circ\text{C} / +80^\circ\text{C}$
Protection class:	IP 65 (above panel)
Life:	3 million cycles

**ELECTRICAL SPECIFICATIONS**

**3-pins rotary potentiometer**

Electrical power rating:	0.25 W @ 25°C
Ohmic resistance: / A = 50% of $V_{in}$	1 k $\Omega$ $\pm 20\%$
/ D = 90% of $V_{in}$	5 k $\Omega$ $\pm 20\%$
Max. operating input voltage ( $V_{in}$ ):	48 V or $\pm 24$ V
Min. load impedance on pin 2 (signal):	50 k $\Omega$
Max. operating current on pin 2:	1 mA
Output voltage:	see graph
Linearity (resistive track):	2% or better
Connection type:	0 = solder type (no connector) 1 = AMP Modu I / 4 poles con. (mating connector kit included)

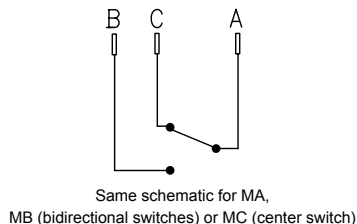
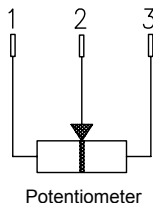
**Center / bidirectional switches (electromechanical type)**

Contacts:	silver plated (solder type)
Max. operating input voltage:	48 V or $\pm 24$ V
Max. operating current:	1.5 A/inductive
Neutral pos. switch threshold angle:	$+4^\circ$
Protection class:	IP 55

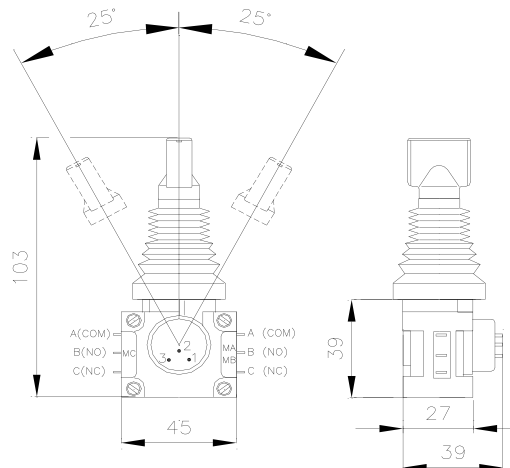
**POTENTIOMETER & SWITCHES OPTIONS**

	Reference codes	
Output signal	S= 50% $V_{in}$	S= 90% $V_{in}$
3-pin potentiometer	A	D
3-pin pot & center switch	B	E (Std)
3-pin pot & bidirectional switch	C	F

**ELECTRICAL CONNECTIONS**

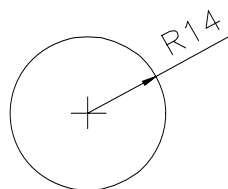


**OVERALL DIMENSIONS**

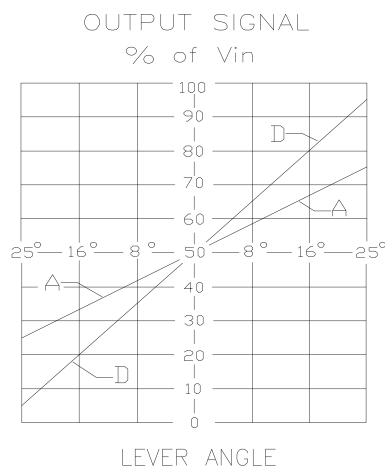


Shown with paddle type grip. Small cylindrical grip KC type also available, with optional dead man push button.

**PANEL CUT-OUT**



**OUTPUT SIGNAL CONTROL CHARACTERISTIC**



3-pins potentiometer configuration

**FTC ORDERING INFORMATION: see page JK4**

**WARNING:** the specifications/application data shown in our catalogs and data sheets are intended only as a general guide for the product described (herein). Any specific application should not be undertaken without independent study, evaluation, and testing for suitability.



4484 Boeing Drive Rockford, IL 61109 • USA • Phone +1 (815) 397-6628 • Fax +1 (815) 397-2526  
mail: delta@delta-power.com • www.delta-power.com



Via Malavolti, 36 • 41122 Modena • ITALY • Phone +39 (059) 254895 • Fax +39 (059) 253512  
mail: tecnord@tecnord.com • www.tecnord.com